



DESIGN GUIDE OVENS

TABLE OF CONTENTS

3	M SERIES BUILT-IN OVENS
15	E SERIES BUILT-IN OVENS
27	CONVECTION STEAM OVENS
32	MICROWAVE OVENS
38	WARMING DRAWERS



Features and specifications are subject to change at any time without notice.

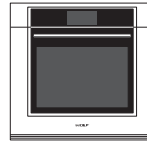
Throughout this guide, dimensions may vary by ± 3 mm.

M Series Built-In Ovens

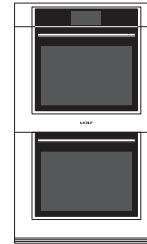
Four striking looks are just the beginning. Superior performance features include our advanced Dual VertiCross™ convection fan system, touch-screen controls, convenient preset cooking programs and improved interior lighting. There is more usable space inside for deliciousness on a grand scale. M series ovens can be installed in a standard or flush inset application.

M SERIES OVENS

TRANSITIONAL

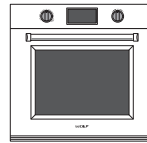


ICBSO30TM/S/TH

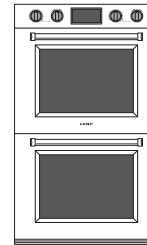


ICBDO30TM/S/TH

PROFESSIONAL

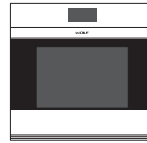


ICBSO30PM/S/PH



ICBDO30PM/S/PH

CONTEMPORARY



ICBSO30CM/S



ICBDO30CM/S



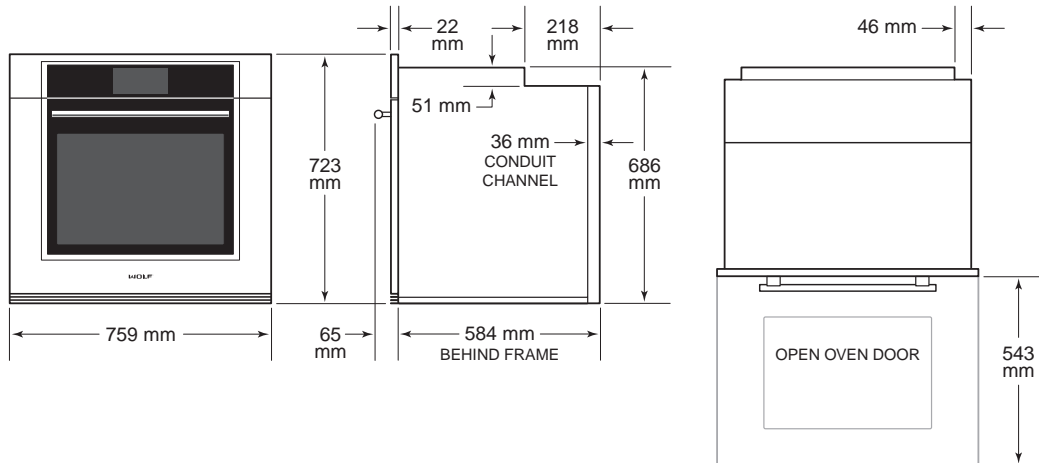
ICBSO30CM/B



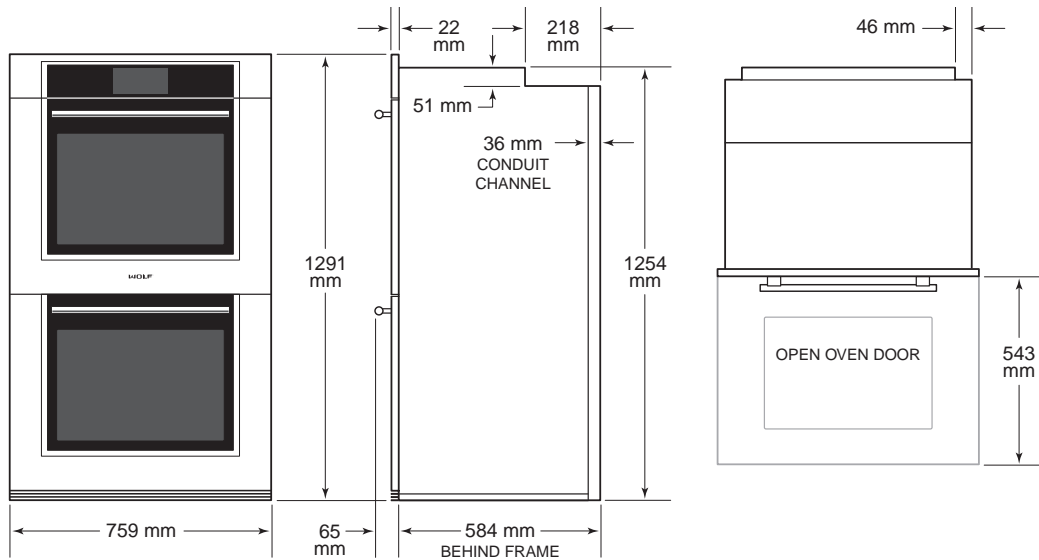
ICBDO30CM/B

M Series Built-In Ovens

TRANSITIONAL SINGLE OVEN

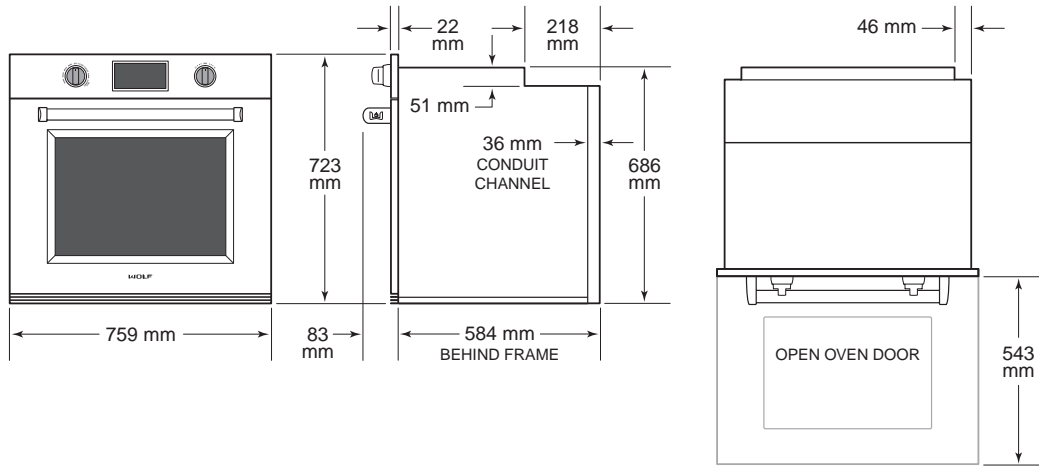


TRANSITIONAL DOUBLE OVEN

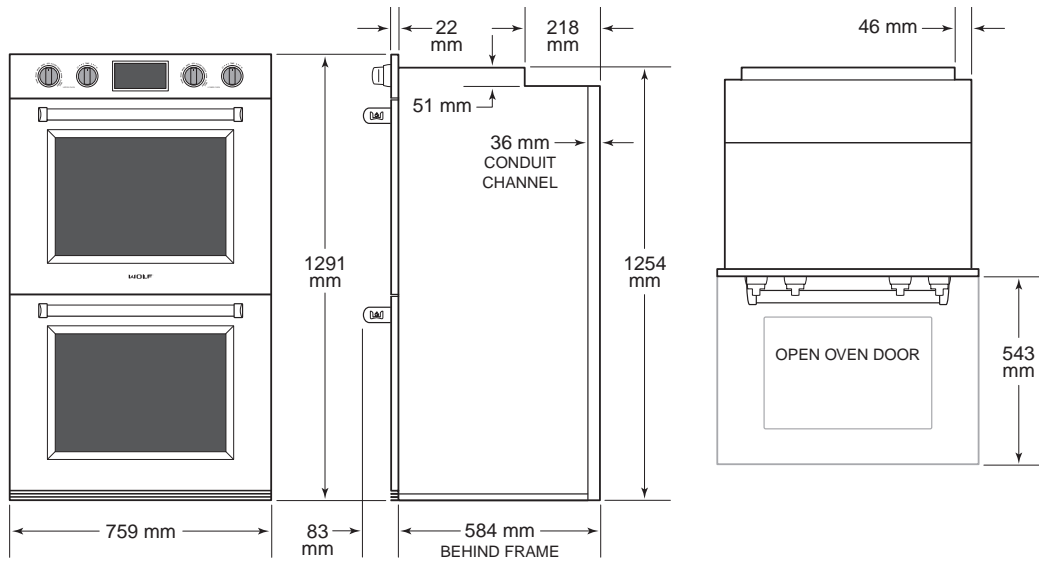


M Series Built-In Ovens

PROFESSIONAL SINGLE OVEN

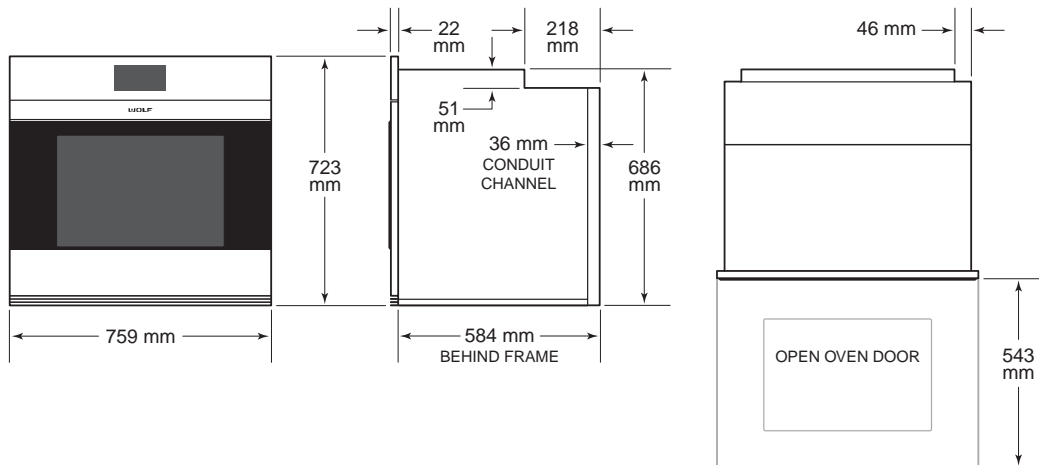


PROFESSIONAL DOUBLE OVEN

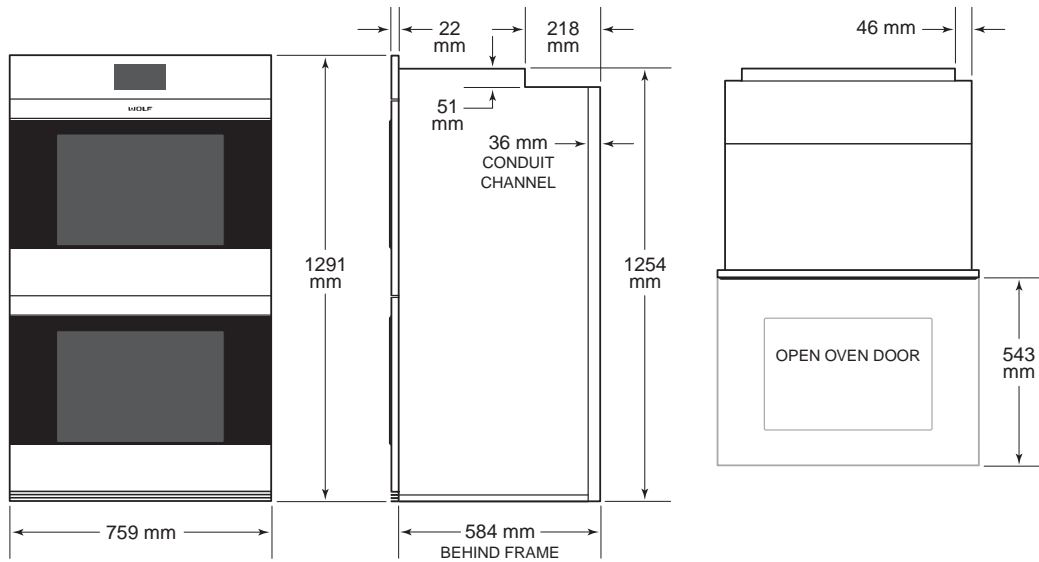


M Series Built-In Ovens

CONTEMPORARY SINGLE OVEN – STAINLESS STEEL

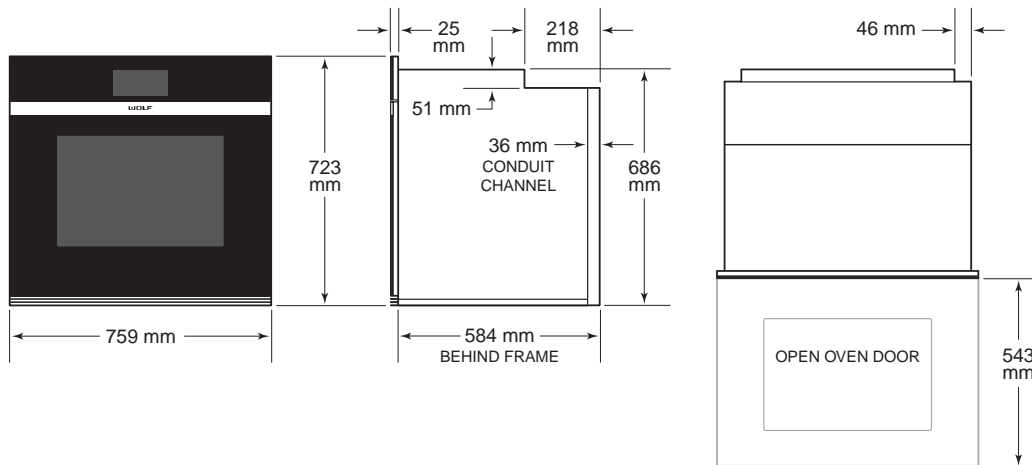


CONTEMPORARY DOUBLE OVEN – STAINLESS STEEL

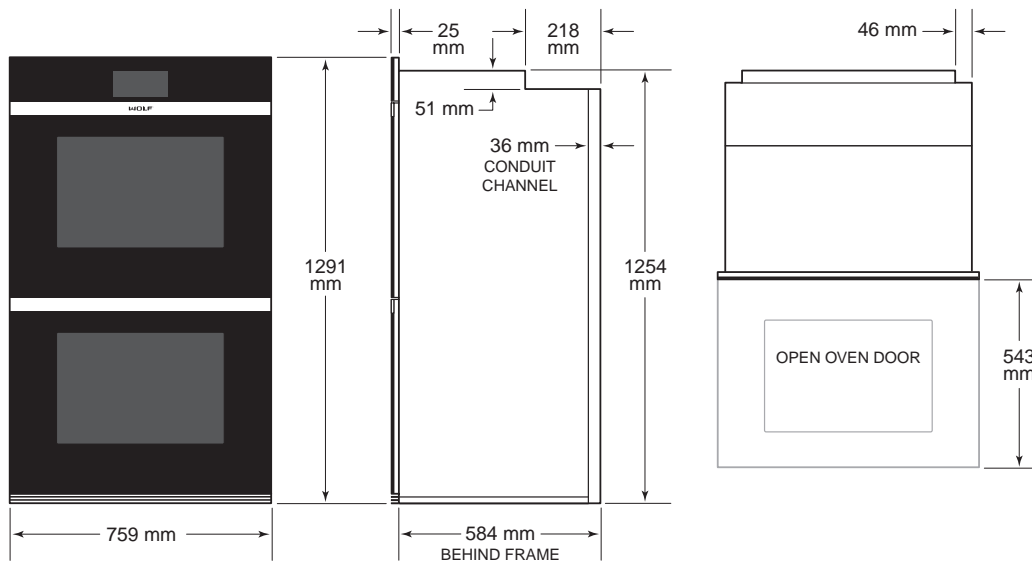


M Series Built-In Ovens

CONTEMPORARY SINGLE OVEN – BLACK GLASS



CONTEMPORARY DOUBLE OVEN – BLACK GLASS



Planning Information

The M series oven can be installed in a standard or flush inset application. If a cooktop is being installed above an oven, a minimum of 6 mm is required between units. Location of the electrical supply within the oven opening may require additional cabinet depth.

Finish the edges of the opening. They may be visible when the door is open.

For standard installations, face trim will overlap stiles and rails. Refer to the chart below.

For flush inset installations, a minimum 3 mm reveal is required on all sides. To ensure consistent reveals, each corner of the opening must be exactly 90°.

INSTALLATION REQUIREMENTS

BASE SUPPORT	MIN
Single Oven	115 kg
Double Oven	181 kg
TRIM OVERLAP	
Top	25 mm
Bottom	0 mm
Sides	18 mm

DUAL INSTALLATION

Two 76 cm single M series ovens can be installed side by side in a standard or flush inset application. A dual installation kit is required. To maintain appropriate airflow, the ovens must be installed into one opening. Any cosmetic or structural material placed between the ovens will impede airflow and is not recommended. Refer to illustrations on the following pages.

The dual installation kit is available through an authorized Wolf dealer.

ELECTRICAL

Installation must comply with all applicable electrical codes and be properly grounded (earthed).

Locate the electrical supply flush with the back wall and within the shaded area shown in the illustration for your specific installation on the following pages. For ease of installation, the electrical supply for the oven can be placed in an adjacent cabinet within reach of the conduit.

Performance may be compromised if the electrical supply is less than 220 volts.

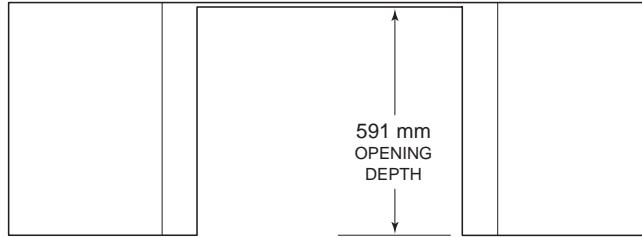
The oven is supplied with a single phase and 3-phase convertible power inlet box. The wiring diagram covering the control circuit is provided with the oven.

ELECTRICAL REQUIREMENTS

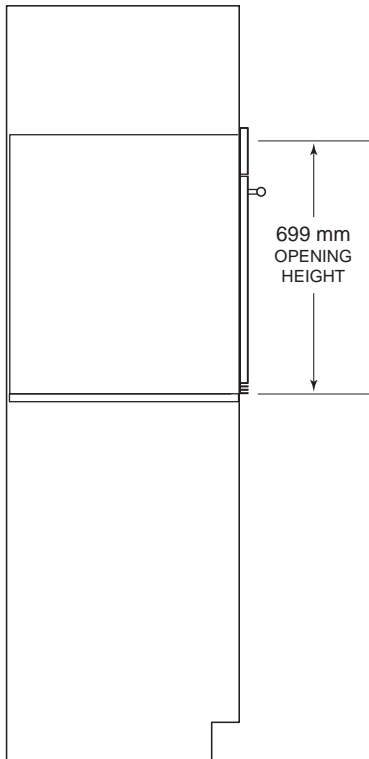
SINGLE OVEN	SINGLE PHASE	3-PHASE
Required Power Supply	220-240 V AC 50/60 Hz	380-415 V AC 50 Hz
Maximum Connected Load	4.2-4.8 kW	3.0-3.6 kW
DOUBLE OVEN	SINGLE PHASE	3-PHASE
Required Power Supply	220-240 V AC 50/60 Hz	380-415 V AC 50 Hz
Maximum Connected Load	8.4-9.6 kW	4.2-4.8 kW

M Series Single Oven

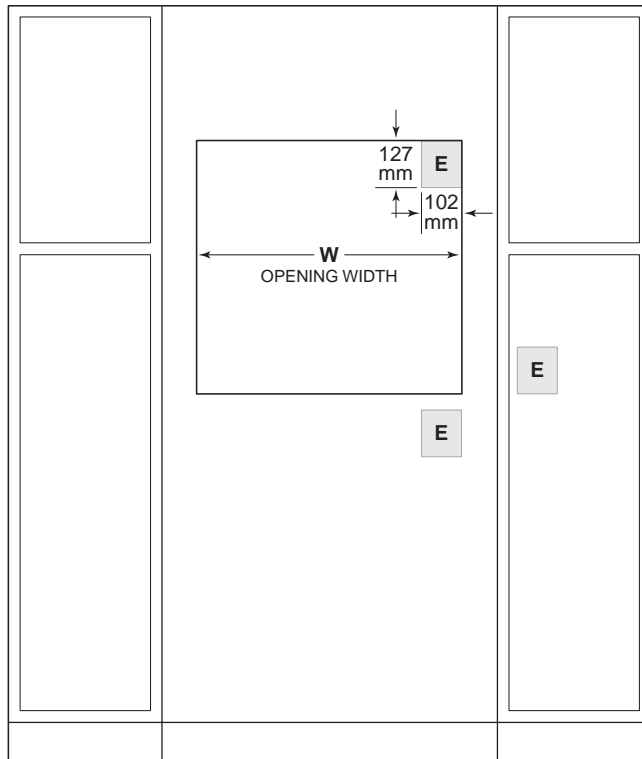
STANDARD INSTALLATION



TOP VIEW



SIDE VIEW



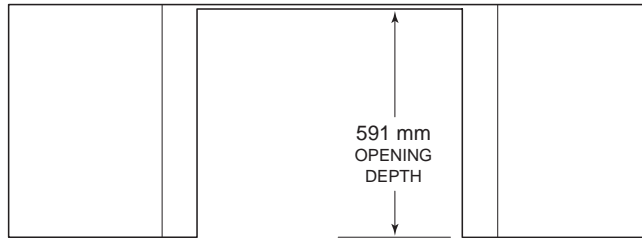
FRONT VIEW

NOTE: Location of electrical supply within opening may require additional cabinet depth.

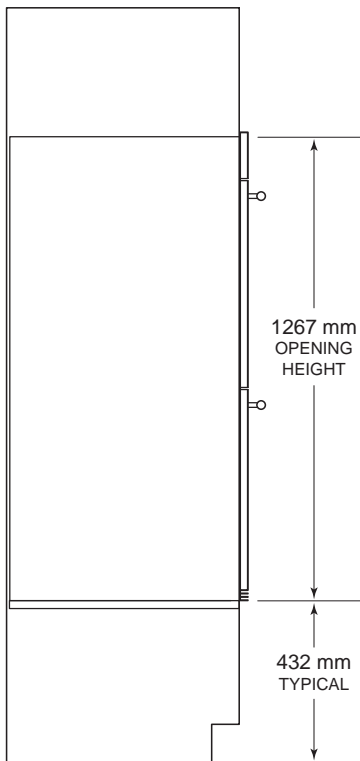
OPENING WIDTH	W
76 cm Model	724 mm

M Series Double Oven

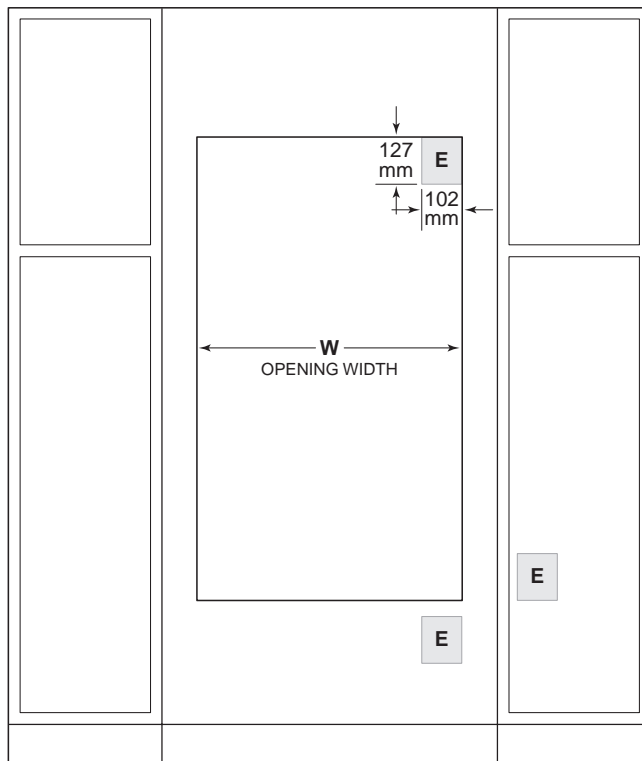
STANDARD INSTALLATION



TOP VIEW



SIDE VIEW



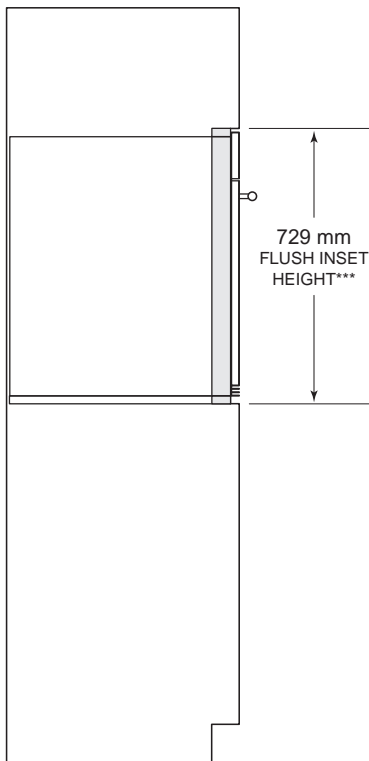
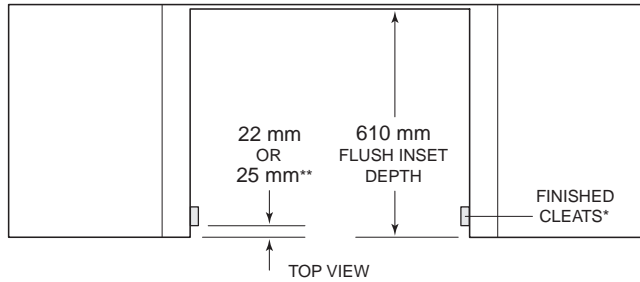
FRONT VIEW

NOTE: Location of electrical supply within opening may require additional cabinet depth.

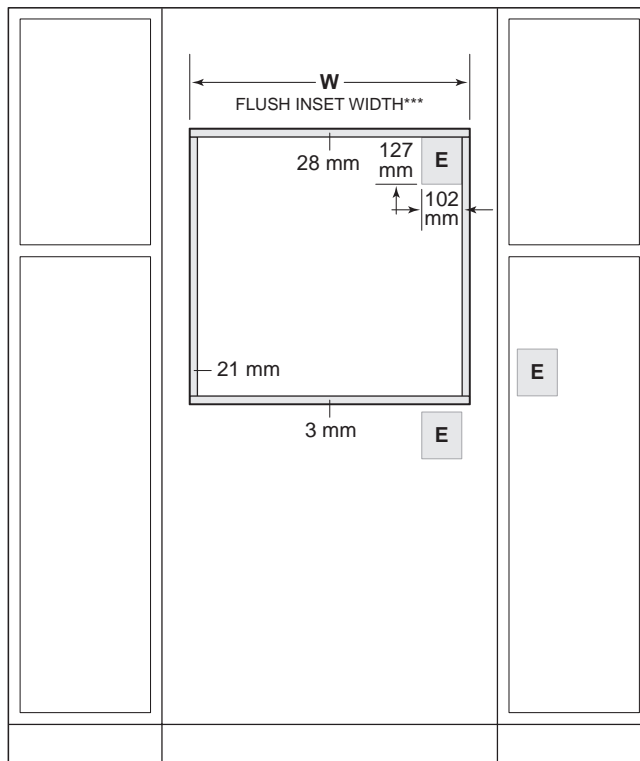
OPENING WIDTH	W
76 cm Model	724 mm

M Series Single Oven

FLUSH INSET INSTALLATION



SIDE VIEW



FRONT VIEW

*25 mm minimum depth. Shaded areas will be visible and should be finished to match cabinetry.

**22 mm for transitional, professional and contemporary stainless steel models and 25 mm for contemporary black glass model.

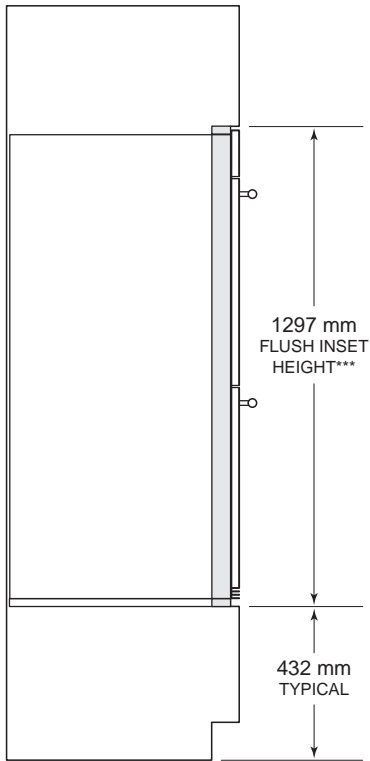
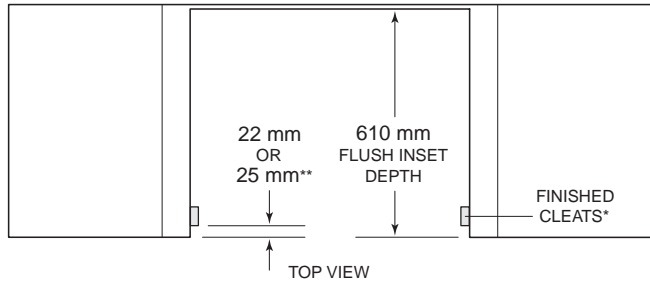
***Dimension provides minimum reveals.

NOTE: Location of electrical supply within opening may require additional cabinet depth.

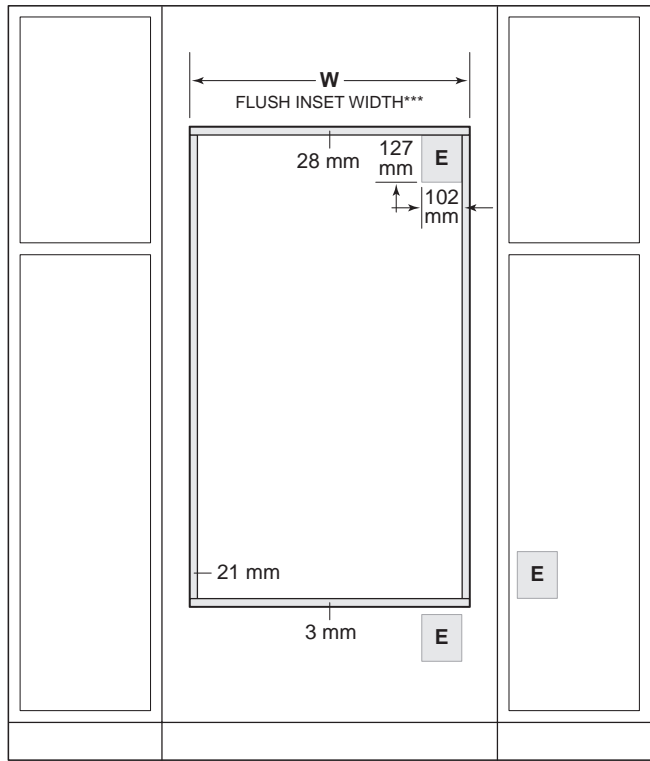
FLUSH INSET WIDTH	W
76 cm Model	765 mm

M Series Double Oven

FLUSH INSET INSTALLATION



SIDE VIEW



FRONT VIEW

*25 mm minimum depth. Shaded areas will be visible and should be finished to match cabinetry.

**22 mm for transitional, professional and contemporary stainless steel models and 25 mm for contemporary black glass model.

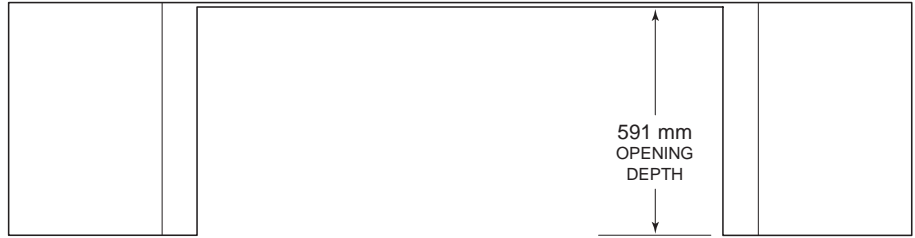
***Dimension provides minimum reveals.

NOTE: Location of electrical supply within opening may require additional cabinet depth.

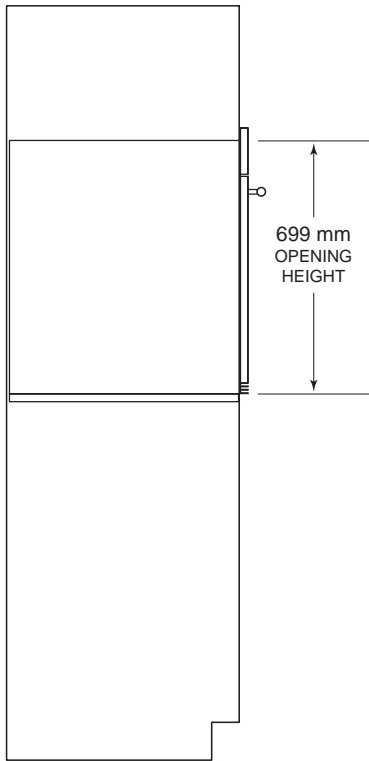
FLUSH INSET WIDTH	W
76 cm Model	765 mm

M Series Single Oven

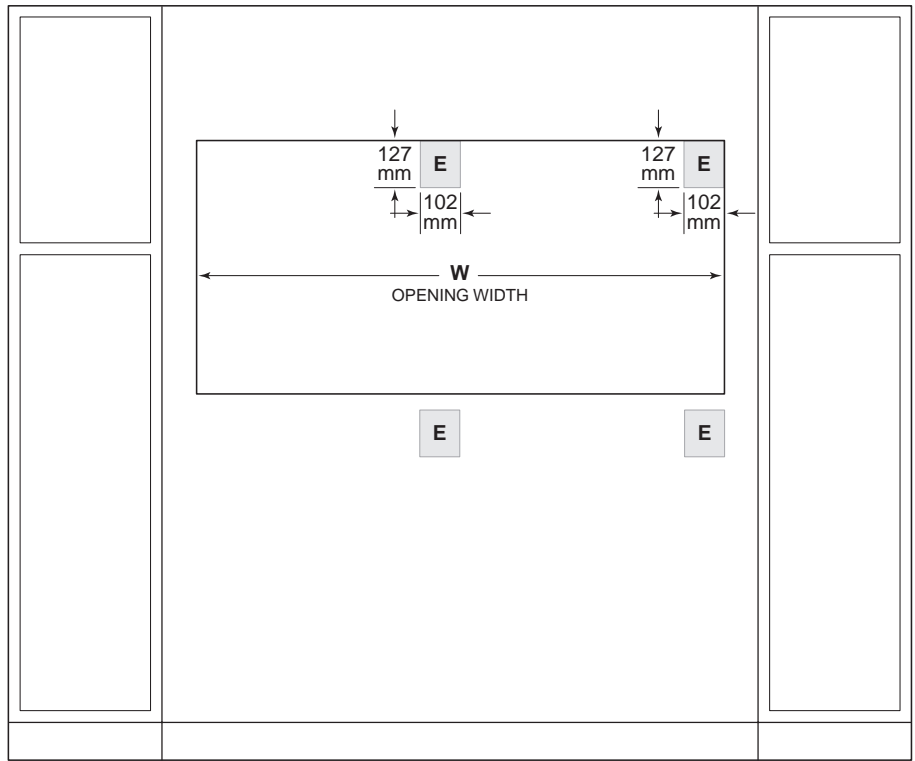
DUAL STANDARD INSTALLATION



TOP VIEW



SIDE VIEW



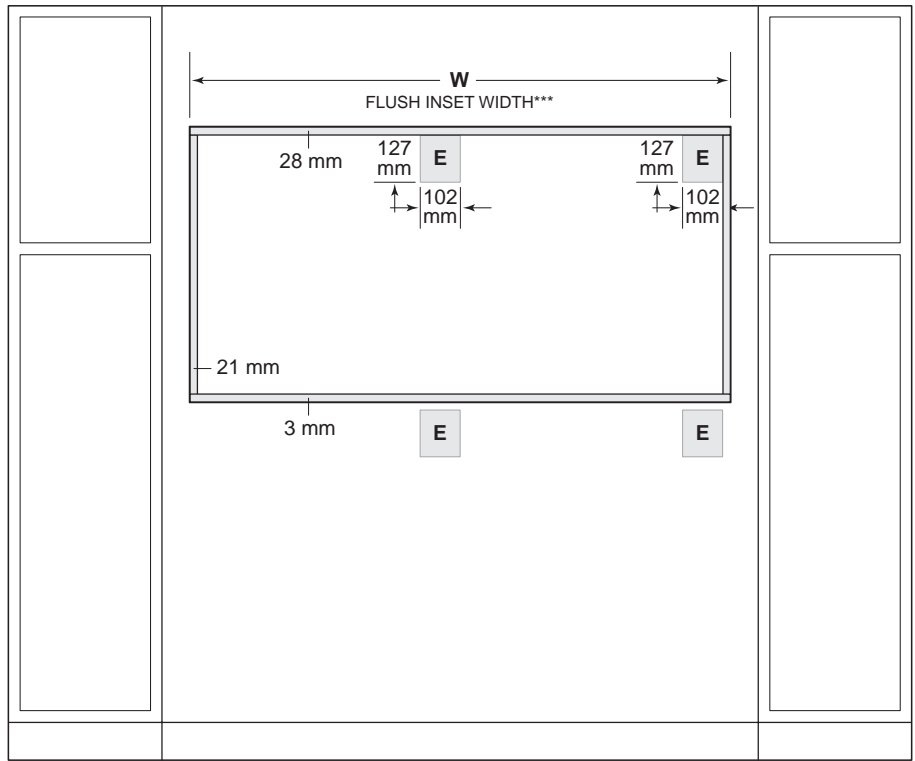
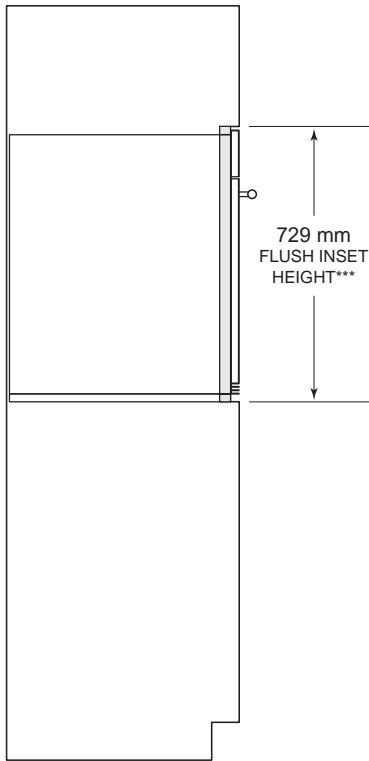
FRONT VIEW

NOTE: Location of electrical supply within opening may require additional cabinet depth. A dual installation kit is required for this installation.

DUAL OPENING WIDTH	W
Two 76 cm Models	1486 mm

M Series Single Oven

DUAL FLUSH INSET INSTALLATION



SIDE VIEW

FRONT VIEW

*25 mm minimum depth. Shaded areas will be visible and should be finished to match cabinetry.

**22 mm for transitional, professional and contemporary stainless steel models and 25 mm for contemporary black glass model.

***Dimension provides minimum reveals.

NOTE: Location of electrical supply within opening may require additional cabinet depth. A dual installation kit is required for this installation.

DUAL FLUSH INSET WIDTH

W

Two 76 cm Models

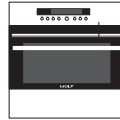
1527 mm

E Series Built-In Ovens

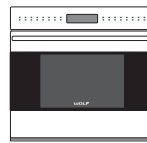
Stainless models feature a redesigned stainless steel touch-action control panel, helping to create great meals with ease, as well as adding a striking design feature to the kitchen. Smart technology gives the E series ten cooking modes, with Wolf's innovative dual convection in single ovens and in the upper unit of double ovens. Wolf E series ovens are crafted of stainless steel. Tubular handles have been updated to match the rest of the new Wolf cooking appliance offering, providing a more cohesive look. E series ovens can be installed in a standard or flush inset application.

E SERIES OVENS

TRANSITIONAL



ICBSO24TE/S/TH

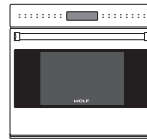


ICBSO30TE/S/TH



ICBDO30TE/S/TH

PROFESSIONAL



ICBSO30PE/S/PH



ICBDO30PE/S/PH

CONTEMPORARY



ICBSO30CE/B/TH

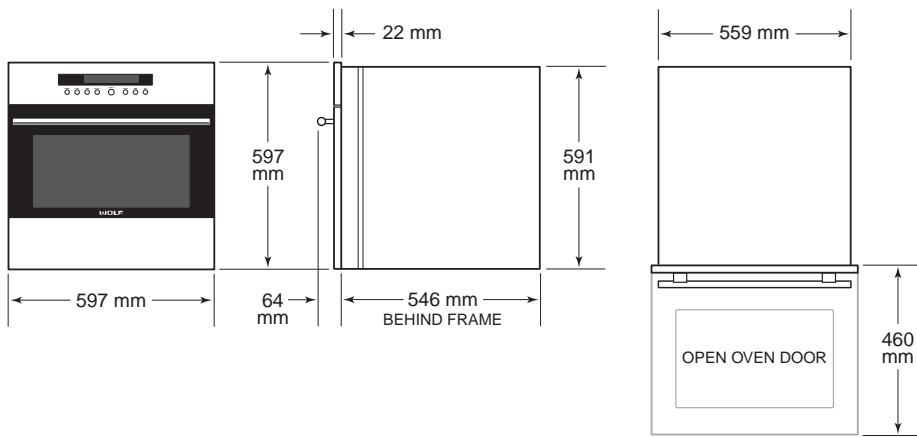


ICBDO30CE/B/TH

E SERIES OVENS

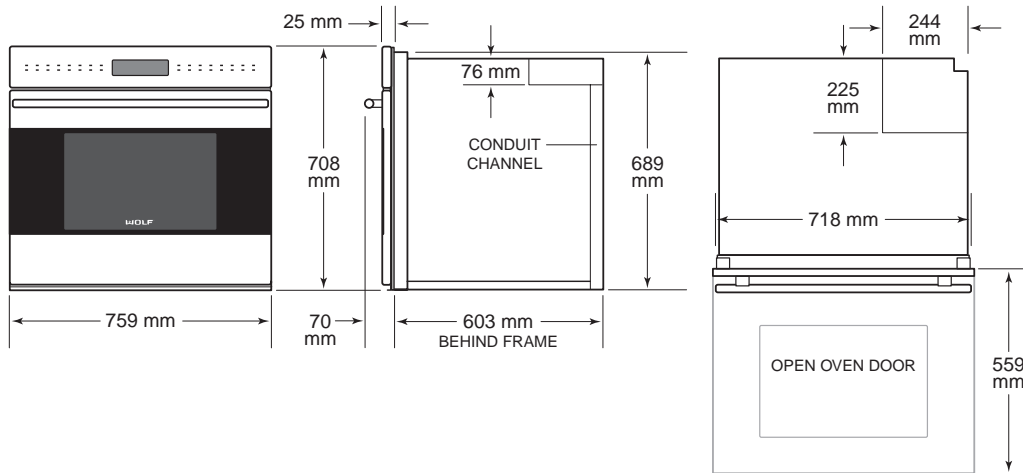
60 cm E Series Ovens

ICBSO24TE/S/TH

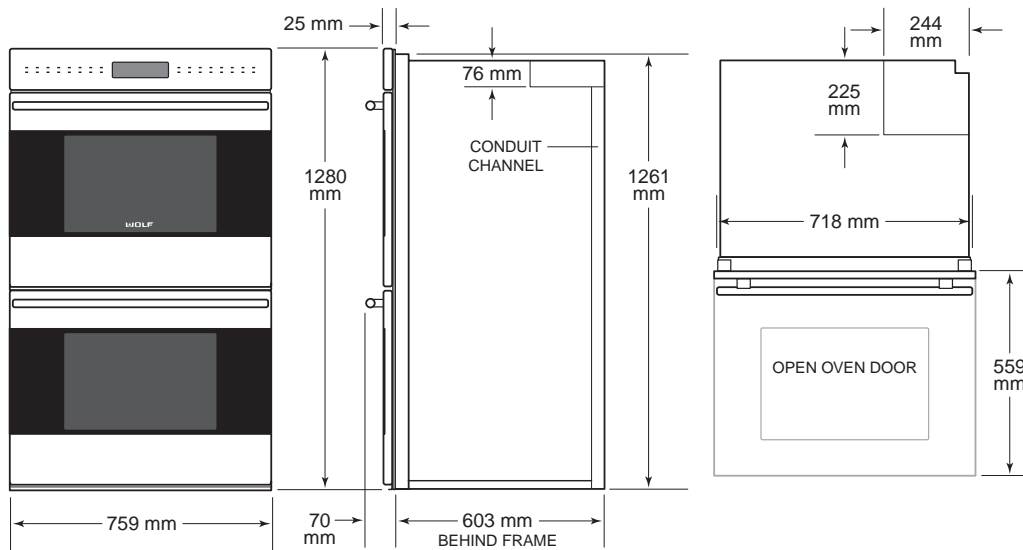


76 cm E Series Ovens

TRANSITIONAL SINGLE OVEN

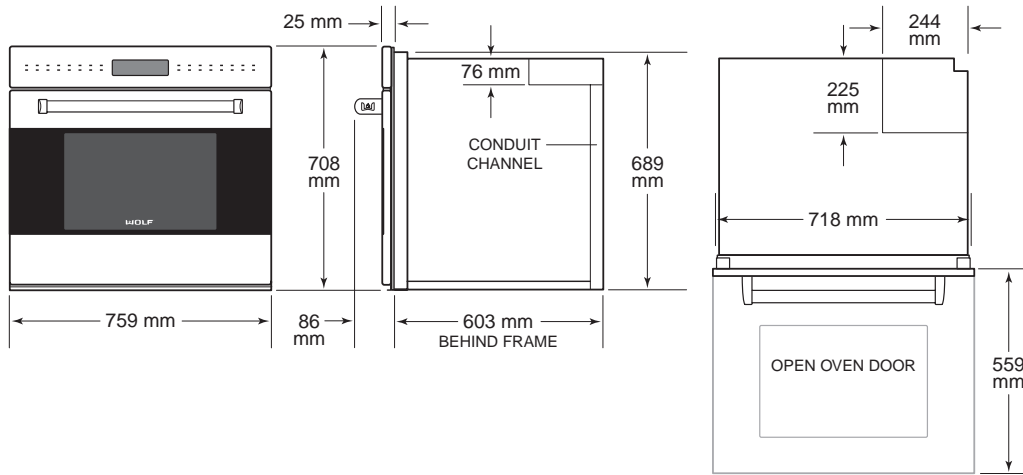


TRANSITIONAL DOUBLE OVEN

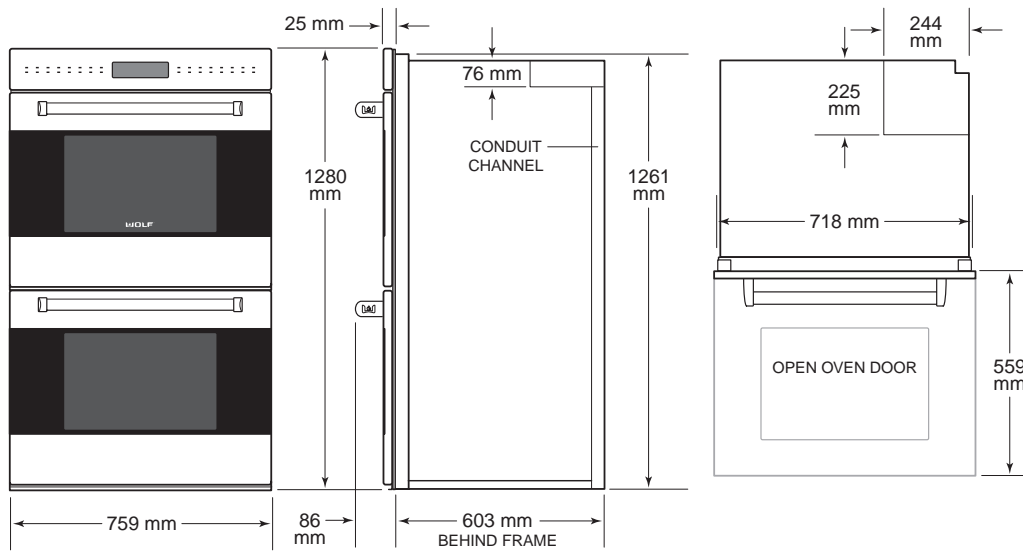


76 cm E Series Ovens

PROFESSIONAL SINGLE OVEN

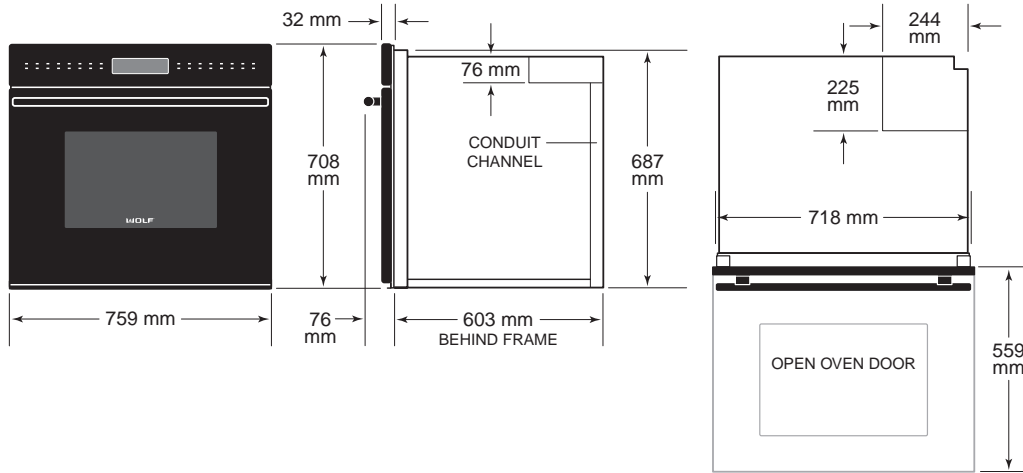


PROFESSIONAL DOUBLE OVEN

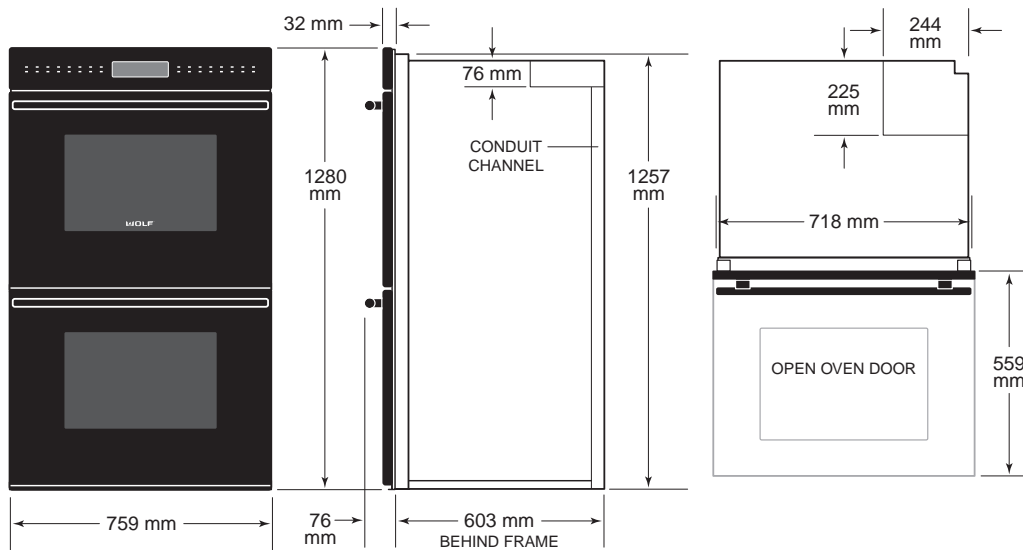


76 cm E Series Ovens

CONTEMPORARY SINGLE OVEN



CONTEMPORARY DOUBLE OVEN



Planning Information

The E series oven can be installed in a standard or flush inset application. If a cooktop is being installed above an oven, a minimum of 6 mm is required between units. Location of the electrical supply within the oven opening may require additional cabinet depth.

Finish the edges of the opening. They may be visible when the door is open.

For standard installations, face trim will overlap stiles and rails. Refer to the chart below.

For flush inset installations, a minimum 3 mm reveal is required on all sides. To ensure consistent reveals, each corner of the opening must be exactly 90°.

INSTALLATION REQUIREMENTS

BASE SUPPORT		MIN
60 cm Single Oven		68 kg
76 cm Single Oven		115 kg
76 cm Double Oven		181 kg
TRIM OVERLAP	60 cm MODEL	76 cm MODEL
Top	6 mm	13 mm
Bottom	0 mm	3 mm
Sides	17 mm	17 mm

ELECTRICAL

Installation must comply with all applicable electrical codes and be properly grounded (earthed).

Locate the electrical supply flush with the back wall and within the shaded area shown in the illustration for your specific installation on the following pages. For ease of installation, the electrical supply for the oven can be placed in an adjacent cabinet within reach of the conduit. The 76 cm units are supplied with terminal box convertible to single or 3-phase.

The wiring diagram covering the control circuit is provided with the oven.

ELECTRICAL REQUIREMENTS

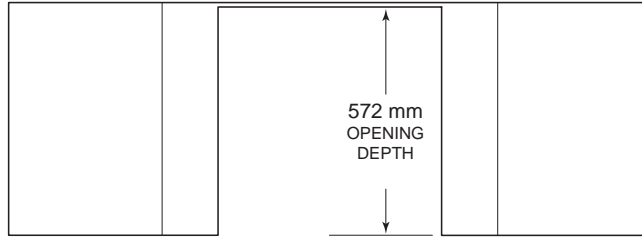
60 cm SINGLE OVEN	
Electrical Supply	220-240 V AC, 50 Hz
Service	3400 W
Receptacle	grounding-type (earthed)
Power Cord	1.8 m

ELECTRICAL REQUIREMENTS

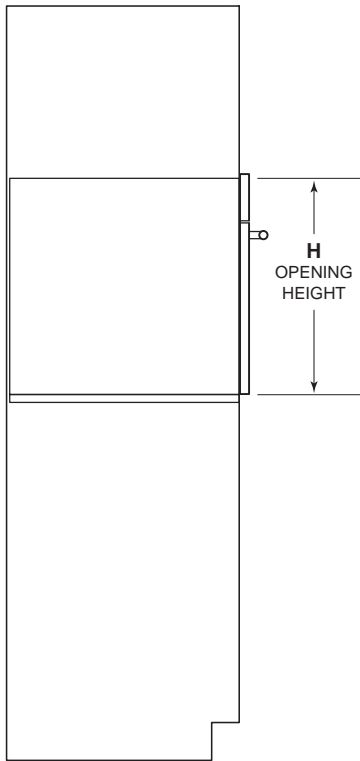
76 cm SINGLE OVEN	SINGLE PHASE	3-PHASE
Required Power Supply	220-240 V AC 50/60 Hz	380-415 V AC 50 Hz
Max Connected Load	4.4 kW	4.4 kW
Total Amps	19	19
76 cm DOUBLE OVEN	SINGLE PHASE	3-PHASE
Required Power Supply	220-240 V AC 50/60 Hz	380-415 V AC 50 Hz
Max Connected Load	7.4 kW	5.1 kW
Total Amps	32	22

60 cm E Series Oven

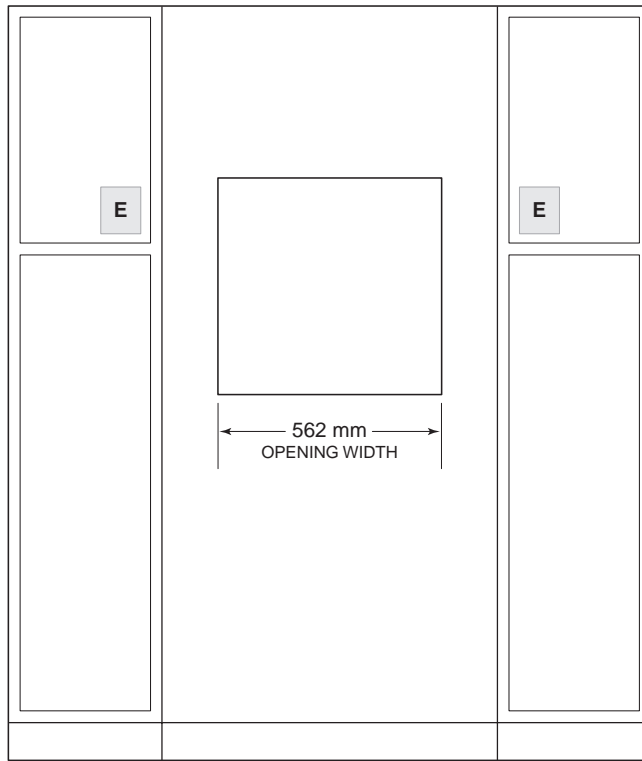
STANDARD INSTALLATION



TOP VIEW



SIDE VIEW



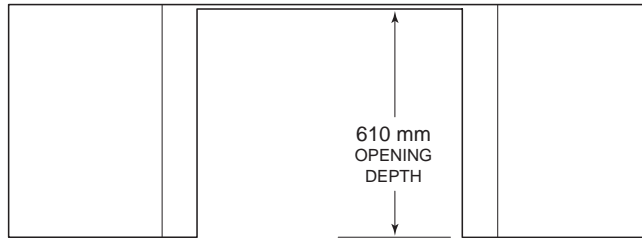
FRONT VIEW

NOTE: Electrical supply must be located in adjacent cabinet within .9 m of opening.

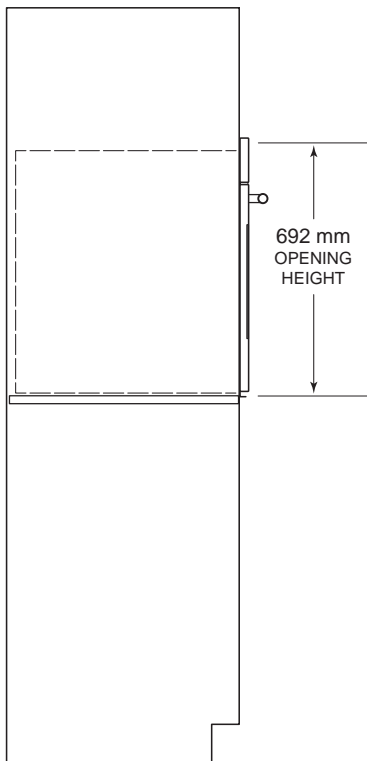
OPENING HEIGHT	H
Model ICBSO24TE/S/TH	591 mm

76 cm E Series Single Oven

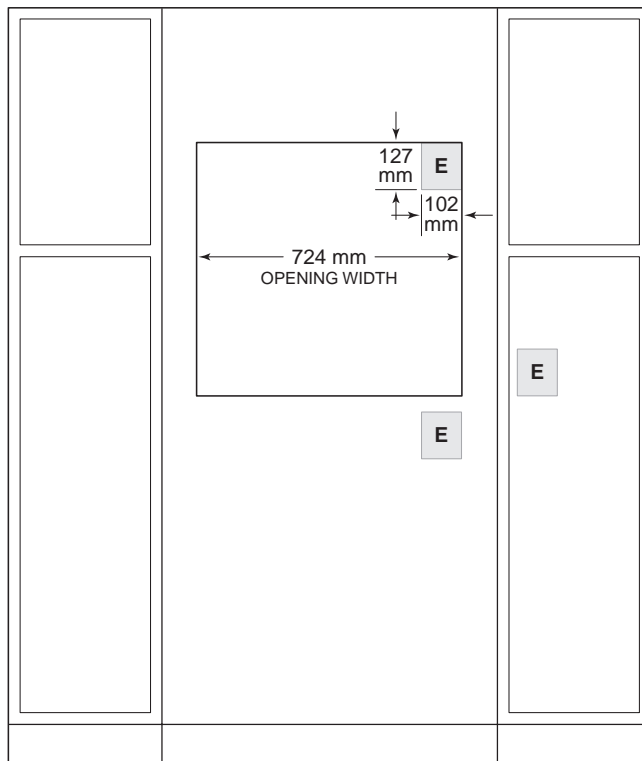
STANDARD INSTALLATION



TOP VIEW



SIDE VIEW

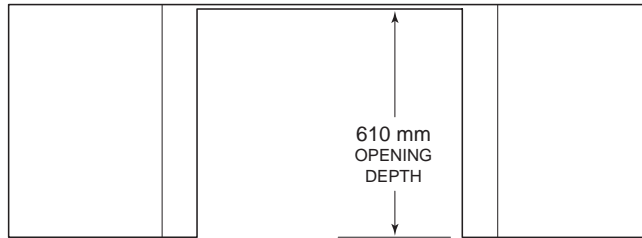


FRONT VIEW

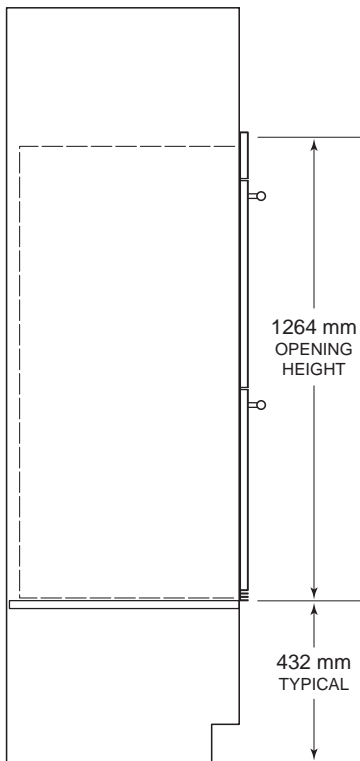
*NOTE: Location of electrical supply within opening may require additional cabinet depth.
Dashed line represents profile of unit.*

76 cm E Series Double Oven

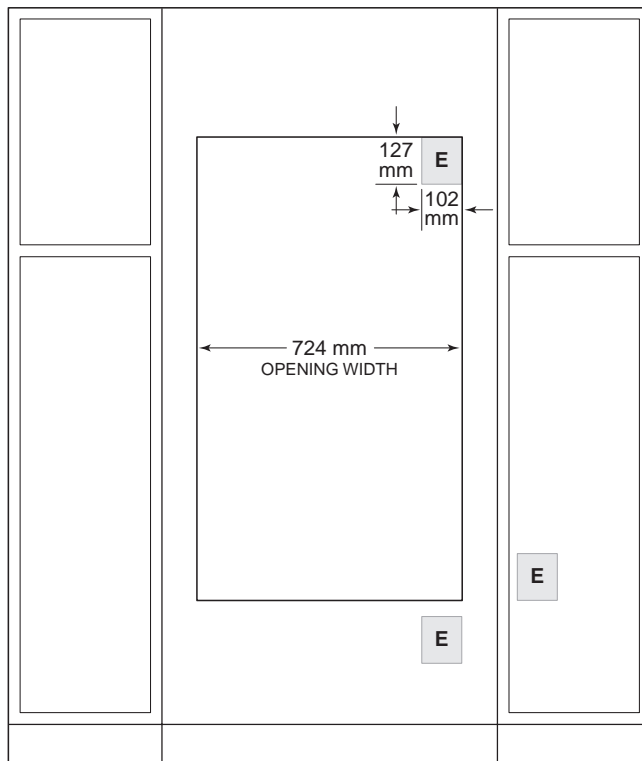
STANDARD INSTALLATION



TOP VIEW



SIDE VIEW

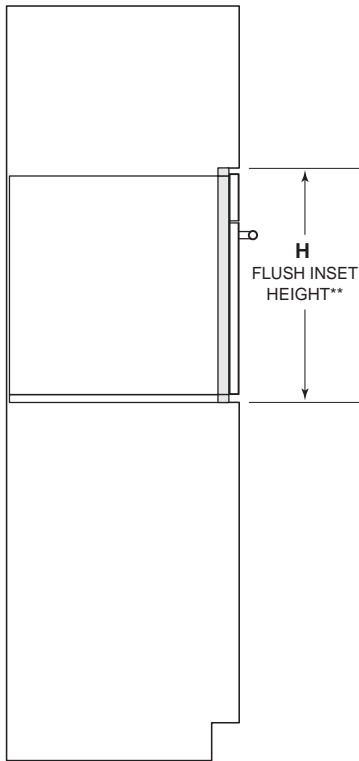
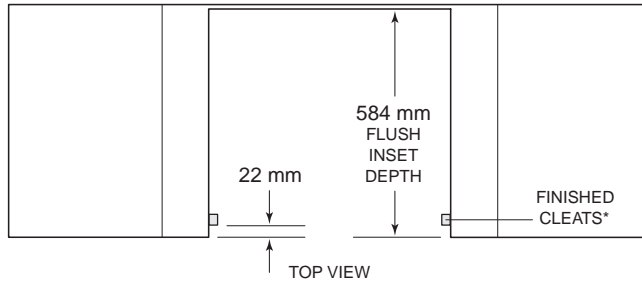


FRONT VIEW

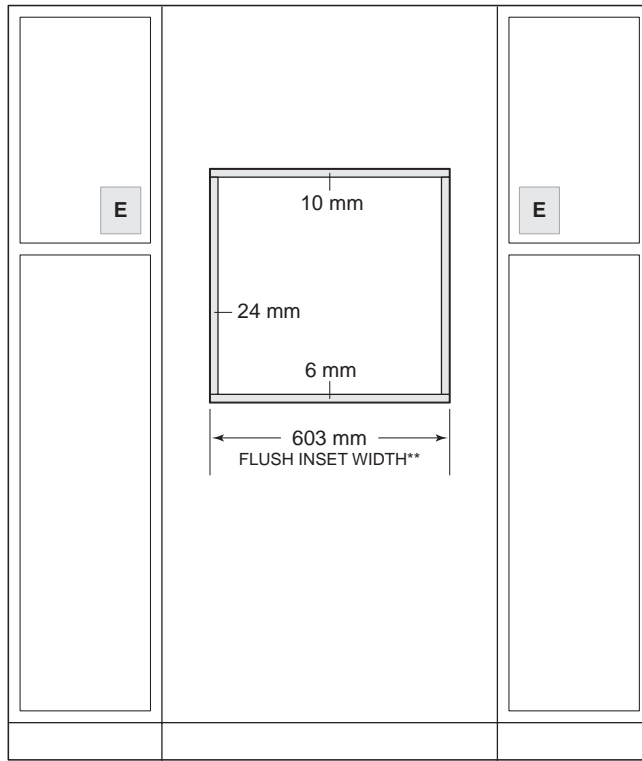
NOTE: Location of electrical supply within opening may require additional cabinet depth.
Dashed line represents profile of unit.

60 cm E Series Oven

FLUSH INSET INSTALLATION



SIDE VIEW



FRONT VIEW

*Will be visible and should be finished to match cabinetry.

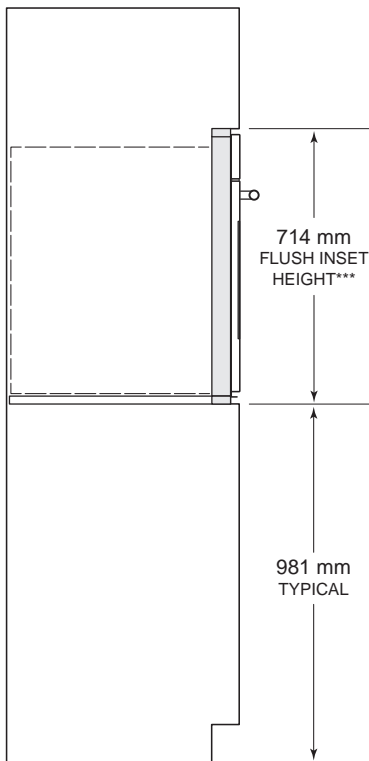
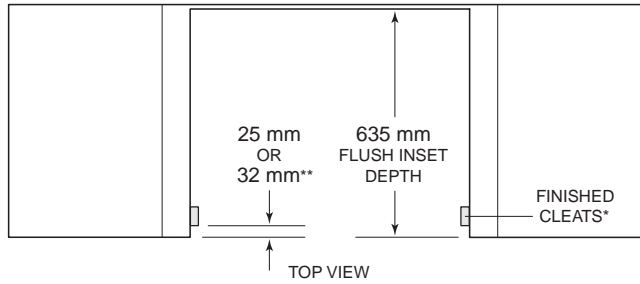
**Dimension provides minimum reveals.

NOTE: Electrical supply must be located in adjacent cabinet within .9 m of opening.

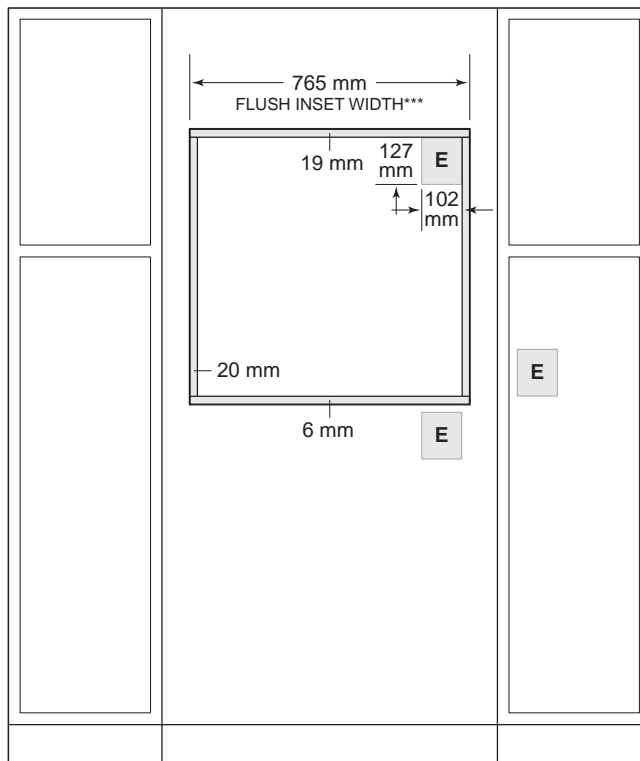
FLUSH INSET HEIGHT	H
Model ICBSO24TE/S/TH	603 mm

76 cm E Series Single Oven

FLUSH INSET INSTALLATION



SIDE VIEW



FRONT VIEW

*Will be visible and should be finished to match cabinetry.

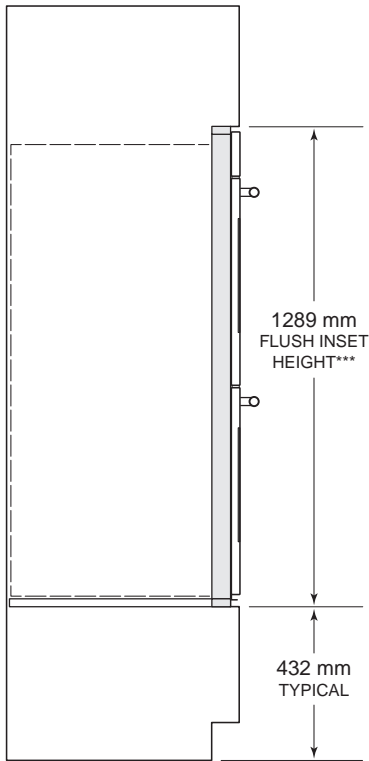
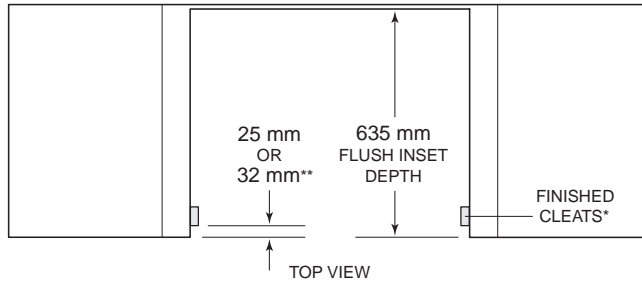
**25 mm for professional and transitional models and 32 mm for contemporary model.

***Dimension provides minimum reveals.

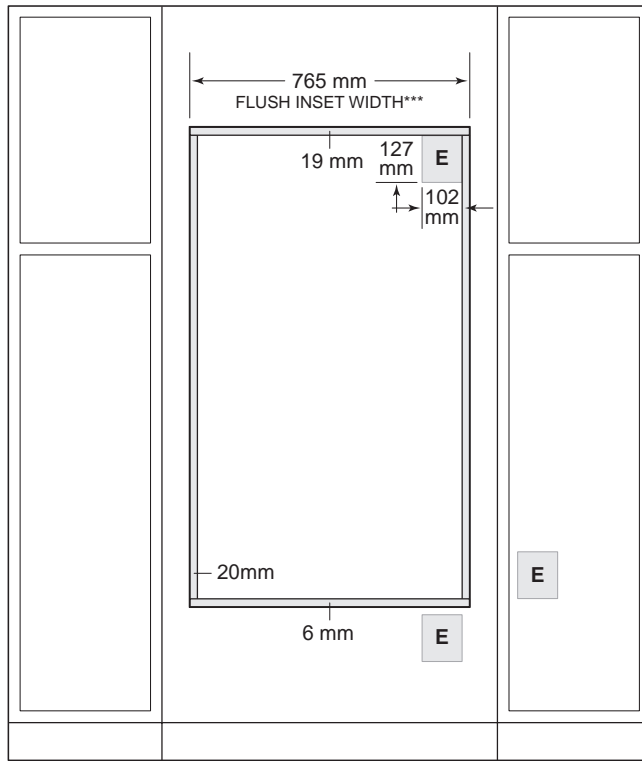
NOTE: Location of electrical supply within opening may require additional cabinet depth.
Dashed line represents profile of unit.

76 cm E Series Double Oven

FLUSH INSET INSTALLATION



SIDE VIEW



FRONT VIEW

*Will be visible and should be finished to match cabinetry.

**25 mm for professional and transitional models and 32 mm for contemporary model.

***Dimension provides minimum reveals.

NOTE: Location of electrical supply within opening may require additional cabinet depth.

Dashed line represents profile of unit.

Convection Steam Ovens

The legacy of the “combination oven” goes back decades, to innovative chefs in America and Europe who embraced the combination of air movement with superheated steam to achieve superior results—from breads and roasts to delicate fishes, seafood and vegetables. Wolf combines the benefits of convection and steam for the most innovative steam oven on the market today. Virtually any dish prepared in a conventional oven, range or microwave can also be prepared in the Wolf convection steam oven—with more control. Two widths and three distinct styles compliment the look of Wolf ovens, ranges and cooktops. Convection steam ovens can be installed in a standard or flush inset application.

CONVECTION STEAM OVENS

TRANSITIONAL



ICBCSO24TE/S/TH

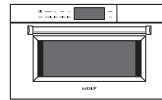


ICBCSO30TM/S/TH



ICBCSO30TE/S/TH

PROFESSIONAL



ICBCSO30PM/S/PH



ICBCSO30PE/S/PH

CONTEMPORARY



ICBCSO30CM/B/TH



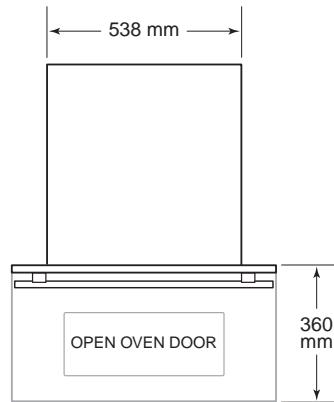
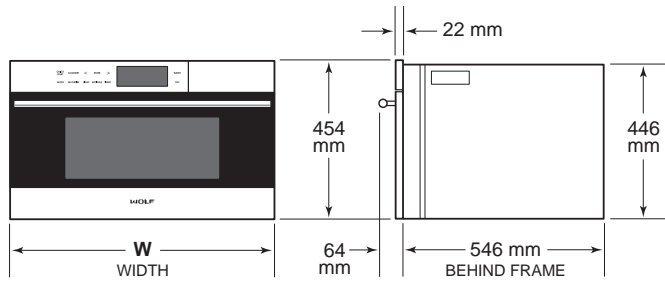
ICBCSO30CMS



ICBCSO30CMB

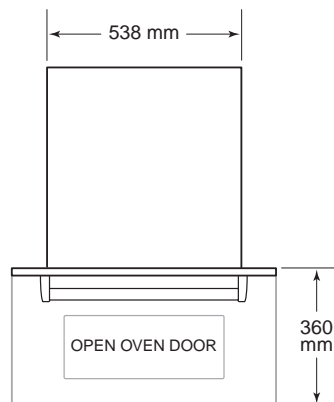
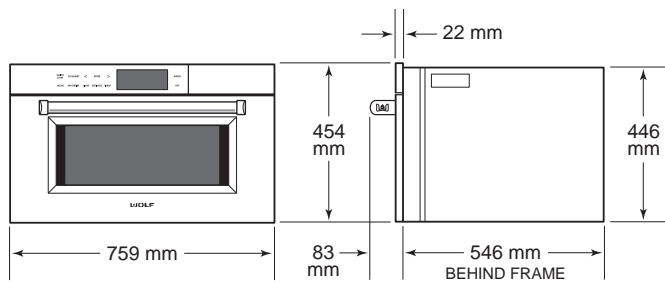
Convection Steam Ovens

TRANSITIONAL

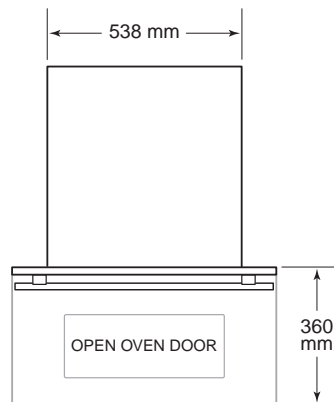
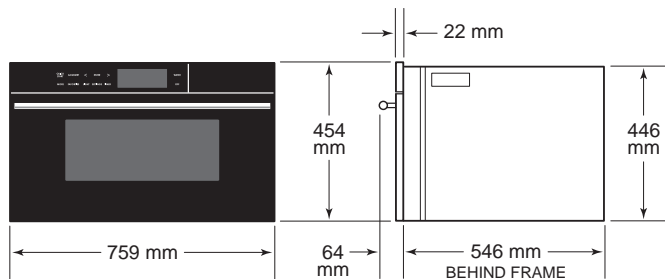


WIDTH	W
60 cm Transitional	597 mm
76 cm Transitional	759 mm

PROFESSIONAL



CONTEMPORARY



Planning Information

The convection steam oven can be installed in a standard or flush inset application. The electrical supply for the oven must be located in an adjacent cabinet.

Finish the edges of the opening. They may be visible when the door is open.

For standard installations, face trim will overlap stiles and rails. Refer to the chart below.

For flush inset installations, a minimum 3 mm reveal is required on all sides. To ensure consistent reveals, each corner of the opening must be exactly 90°.

INSTALLATION REQUIREMENTS

BASE SUPPORT		MIN
Convection Steam Oven		45 kg
TRIM OVERLAP	60 cm MODEL	76 cm MODEL
Top	5 mm	5 mm
Bottom	0 mm	0 mm
Sides	18 mm	98 mm

ELECTRICAL

Installation must comply with all applicable electrical codes and be properly grounded (earthed).

Locate the electrical supply as shown in the illustrations on the following pages. A separate circuit, servicing only this appliance is required. A ground fault circuit interrupter (GFCI) is not recommended and may cause interruption of operation.

Performance may be compromised if the electrical supply is less than 220 volts.

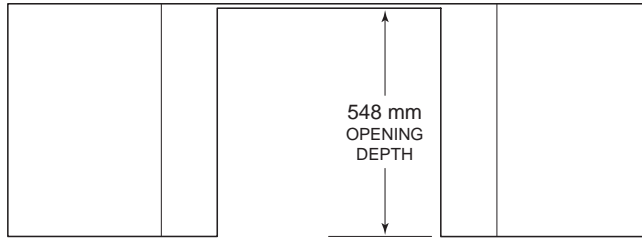
ELECTRICAL REQUIREMENTS

Electrical Supply	220-240 V AC, 50 Hz
Service	3800 W
Receptacle	grounding-type (earthed)
Power Cord	1.8 m

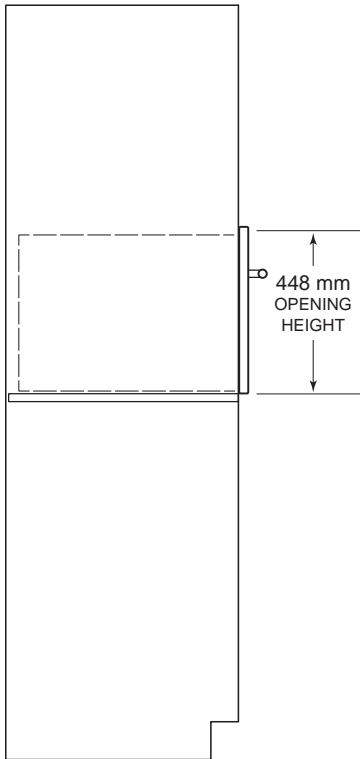
CONVECTION STEAM OVENS

Convection Steam Oven

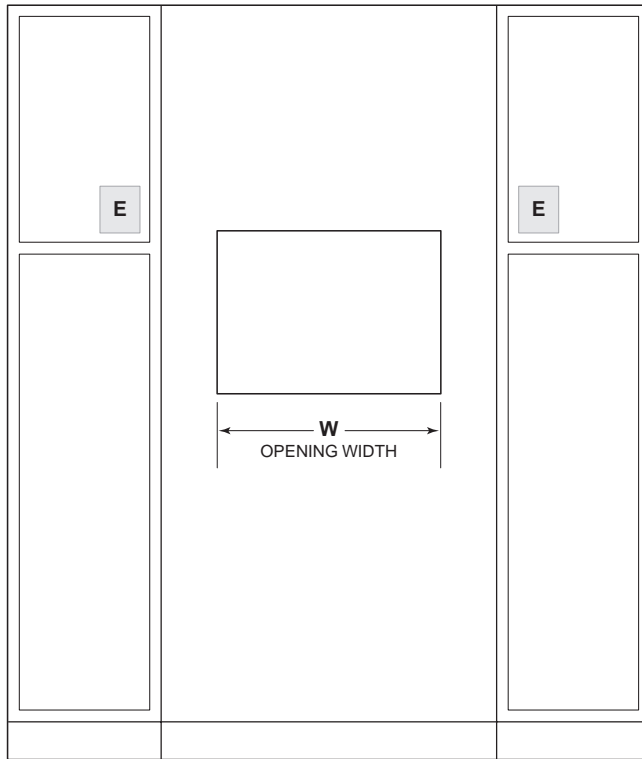
STANDARD INSTALLATION



TOP VIEW



SIDE VIEW



FRONT VIEW

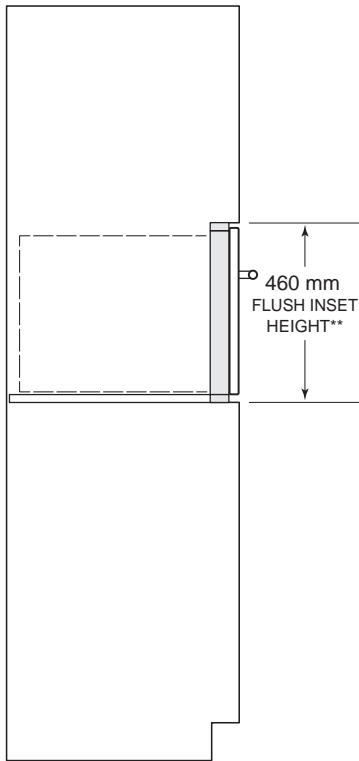
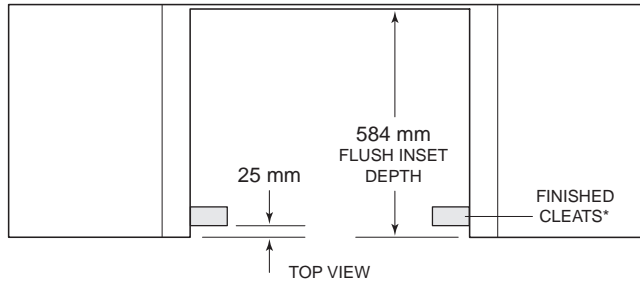
*NOTE: Both 60 cm and 76 cm models require the same opening dimensions.
Electrical supply must be located in adjacent cabinet within .9 m of opening.
Dashed line represents profile of unit.*

OPENING WIDTH	W
60 cm Model	562 mm
76 cm Model	562 mm

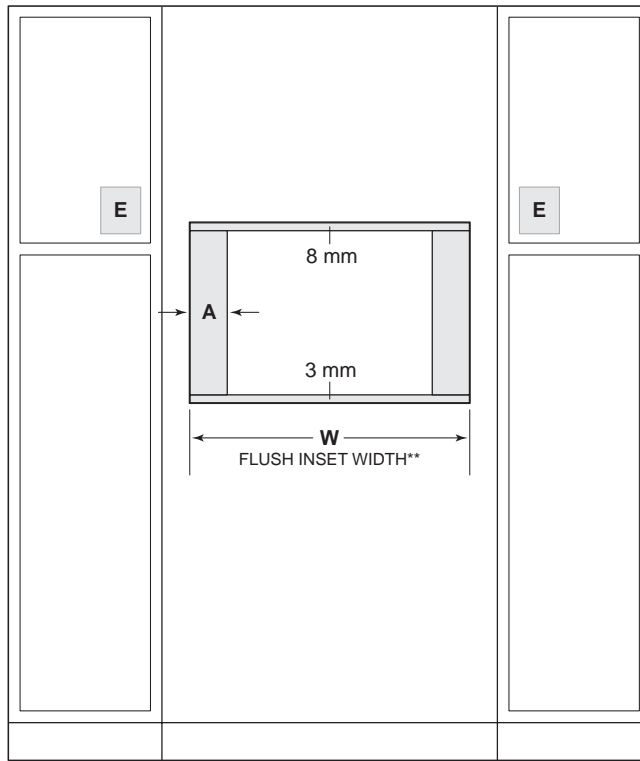
CONVECTION STEAM OVENS

Convection Steam Oven

FLUSH INSET INSTALLATION



SIDE VIEW



FRONT VIEW

*Will be visible and should be finished to match cabinetry.

**Dimension provides minimum reveals.

NOTE: Electrical supply must be located in adjacent cabinet within .9 m of opening.
Dashed line represents profile of unit.

FLUSH INSET WIDTH	W	A
60 cm Model	603 mm	21 mm
76 cm Model	765 mm	102 mm

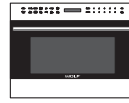
MICROWAVE OVENS

Microwave Ovens

As true cooking instruments, Wolf microwave ovens have features that make fast meals better meals. New drop down door microwaves feature a door that hinges at the bottom. Drop down door microwaves are designed to match Wolf transitional, professional and contemporary products. Microwave ovens can be installed in a standard or flush inset application.

DROP DOWN DOOR MICROWAVES

TRANSITIONAL



ICBMDD24TE/S/TH

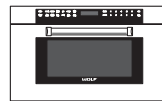


ICBMDD30TM/S/TH



ICBMDD30TE/S/TH

PROFESSIONAL



ICBMDD30PM/S/PH



ICBMDD30PE/S/PH

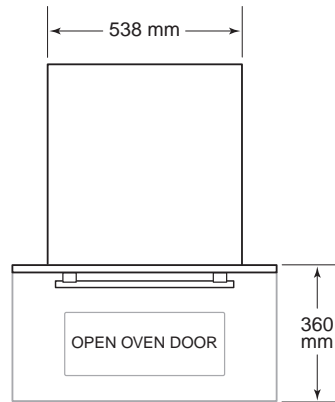
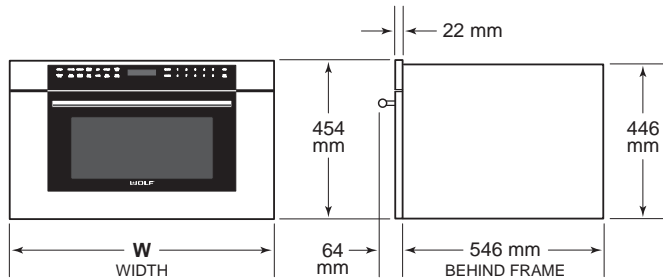
CONTEMPORARY



ICBMDD30CM/B/TH

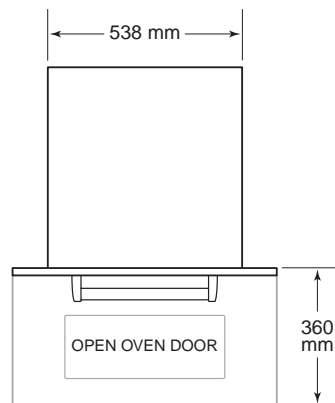
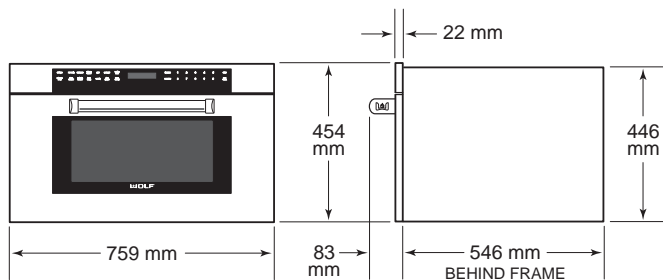
Drop Down Door Microwave Ovens

TRANSITIONAL

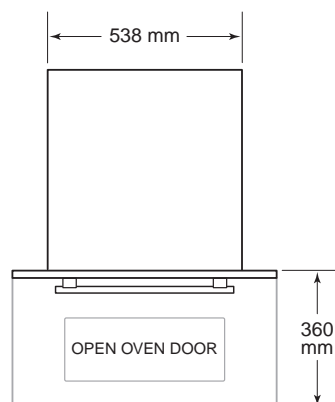
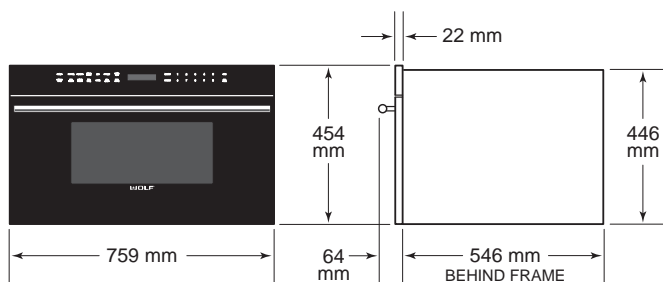


WIDTH	W
60 cm Model	597 mm
76 cm Model	759 mm

PROFESSIONAL



CONTEMPORARY



Planning Information

DROP DOWN DOOR MICROWAVE

The drop down door microwave oven can be installed in a standard or flush inset application.

Finish the edges of the opening. They may be visible when the door is open.

For standard installations, face trim will overlap stiles and rails. Refer to the chart below.

For flush inset installations, a minimum 3 mm reveal is required on all sides. To ensure consistent reveals, each corner of the opening must be exactly 90°.

INSTALLATION REQUIREMENTS

BASE SUPPORT		MIN
Drop Down Door Microwave		57 kg
TRIM OVERLAP		
	60 cm MODEL	76 cm MODEL
Top	5 mm	5 mm
Bottom	0 mm	0 mm
Sides	18 mm	98 mm

Electrical

Installation must comply with all applicable electrical codes and be properly grounded (earthed).

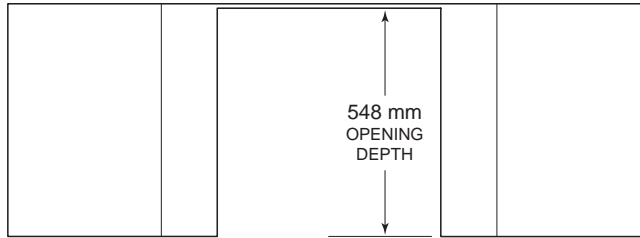
Locate the electrical supply as shown in the illustrations on the following pages. The receptacle may also be located in an adjacent cabinet within reach of the power cord. Refer to the illustration below for minimum power cord plug clearance.

ELECTRICAL REQUIREMENTS

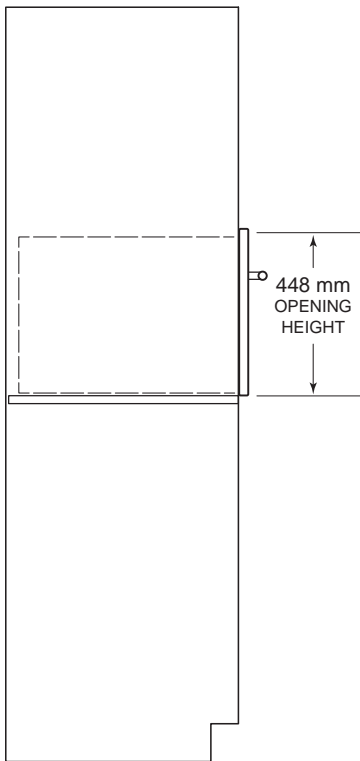
Electrical Supply	220-240 V AC, 50/60 Hz
Service	1600 W
Receptacle	grounding-type (earthed)

Drop Down Door Microwave Oven

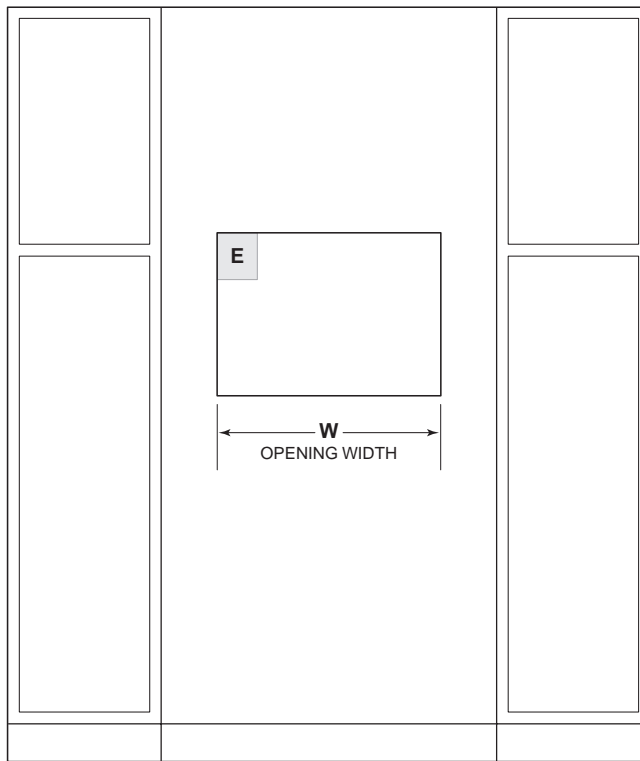
STANDARD INSTALLATION



TOP VIEW



SIDE VIEW



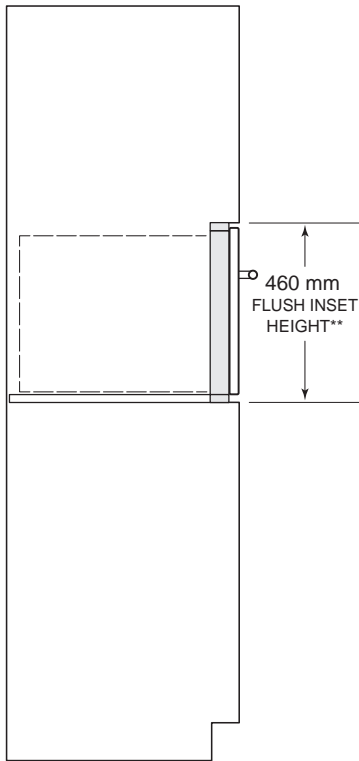
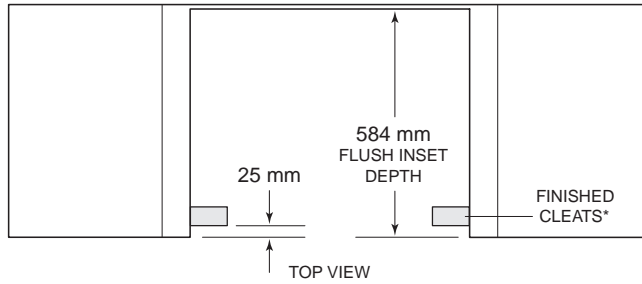
FRONT VIEW

NOTE: Both 60 cm and 76 cm models require the same opening dimensions.
Dashed line represents profile of unit.

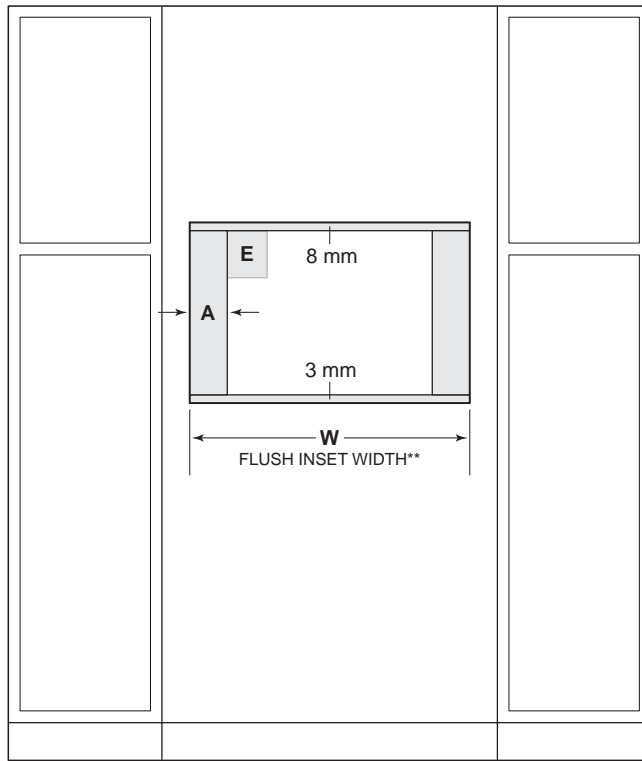
OPENING WIDTH	W
60 cm Model	562 mm
76 cm Model	562 mm

Drop Down Door Microwave Oven

FLUSH INSET INSTALLATION



SIDE VIEW



FRONT VIEW

*Will be visible and should be finished to match cabinetry.

**Dimension provides minimum reveals.

NOTE: Dashed line represents profile of unit.

FLUSH INSET WIDTH	W	A
60 cm Model	603 mm	21 mm
76 cm Model	765 mm	102 mm

Warming Drawers

Wolf warming drawers are designed to take care of prepared foods until it's time to serve them. You can adjust the temperature, keeping moist foods moist and crisp foods crisp. Warming drawers are ideal for proofing dough. Drawer fronts are available to match the look of Wolf ovens and sealed burner rangetops. The integrated drawer front allows for a custom panel and handle.

WARMING DRAWER FRONTS

M | E SERIES



TRANSITIONAL



PROFESSIONAL



CONTEMPORARY

INTEGRATED



CUSTOM PANEL

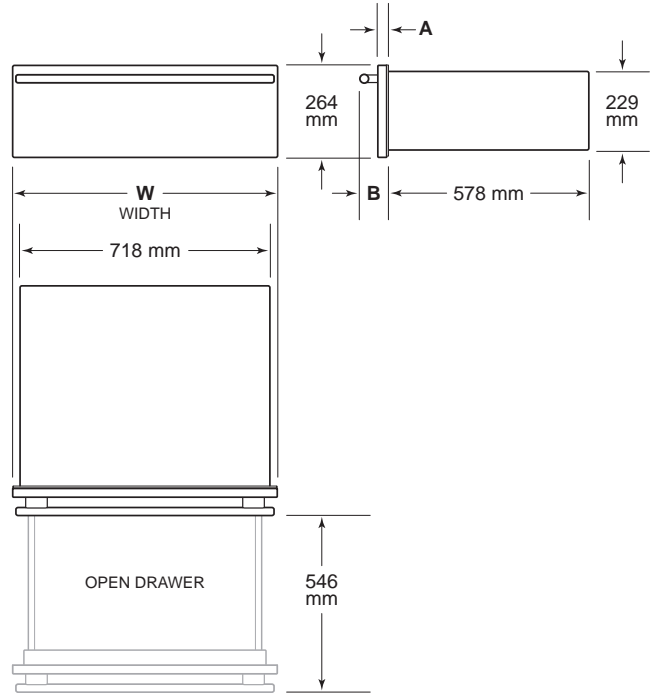
Warming Drawers

DRAWER FRONT OPTIONS

Wolf warming drawer fronts allow for many design options, but the warming drawer itself will be the same for all applications. A panel mounting kit is required when installing a custom panel. The panel mounting kit is available through an authorized Wolf dealer.

The 51 mm thick drawer front, in 76 cm and 91 cm widths, is designed to be installed below a sealed burner rangetop, so the panel aligns properly with the front of the rangetop. Dimensions for the warming drawer remain the same, even though the drawer front may be wider to match a Wolf 91 cm oven or sealed burner rangetop.

DIMENSIONS



DRAWER FRONT

MODEL	W
76 cm Drawer Front	759 mm
91 cm Drawer Front	911 mm

M SERIES	A	B
Transitional Professional	22 mm	83 mm
Contemporary	25 mm	86 mm

E SERIES	A	B
Transitional Professional	29 mm	89 mm
Professional (51 mm thick)	54 mm	114 mm
Contemporary	35 mm	95 mm

INTEGRATED DRAWER FRONT

CUSTOM PANEL	W	H	D
Typical Dimensions	759 mm	264 mm	19 mm
Min Thickness			16 mm

WARMING DRAWERS

Planning Information

The warming drawer must be installed with a Wolf drawer front, available through an authorized Wolf dealer. Specific installation instructions are included with the drawer front.

The warming drawer can be installed in a standard or flush inset application.

For a standard installation, the drawer collar and front panel sit proud of the cabinet face frame. A recessed installation requires the cabinetry be recessed by 5 mm so the collar is flush with the cabinet face frame but the drawer front will sit proud. A flush inset installation requires the drawer collar and front panel be recessed to be flush with surrounding cabinetry. Refer to illustrations on the following pages for minimum cabinet dimensions for your specific installation.

Finish the edges of the opening. They may be visible when the drawer is open.

For standard installations, face trim will overlap stiles and rails. Refer to the chart below.

For flush inset installations, a minimum 3 mm reveal is required on all sides. To ensure consistent reveals, each corner of the opening must be exactly 90°.

INSTALLATION REQUIREMENTS

BASE SUPPORT	MIN
Warming Drawer	90 kg
TRIM OVERLAP	
Top, Bottom and Sides	16 mm

ELECTRICAL

Installation must comply with all applicable electrical codes and be properly grounded (earthed). A 10A power is needed.

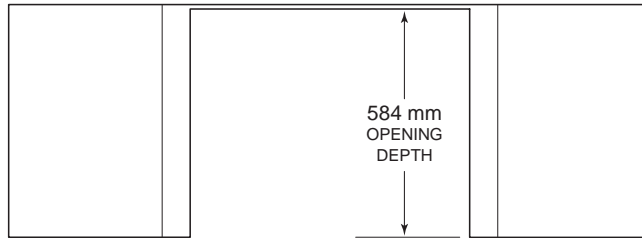
Locate the electrical supply flush with the back wall and within the shaded area shown in the illustrations on the following pages. For ease of installation, the electrical supply for the warming drawer can be placed in an adjacent cabinet within reach of the power cord.

ELECTRICAL REQUIREMENTS	
Electrical Supply	220-240 V AC, 50/60 Hz
Service	850 W
Receptacle	grounding-type (earthed)
Power Cord	.9 m

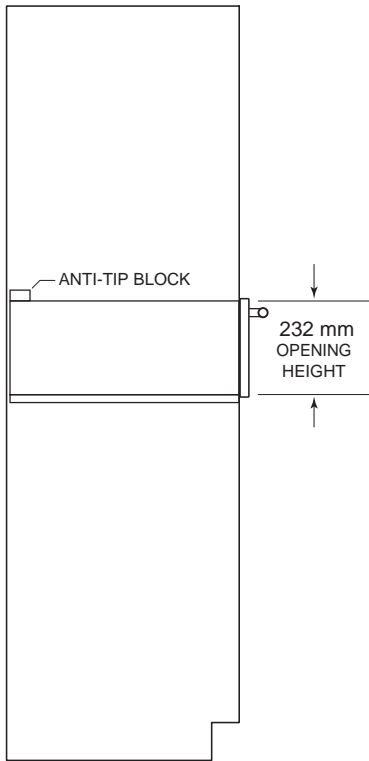
WARMING DRAWERS

Warming Drawer

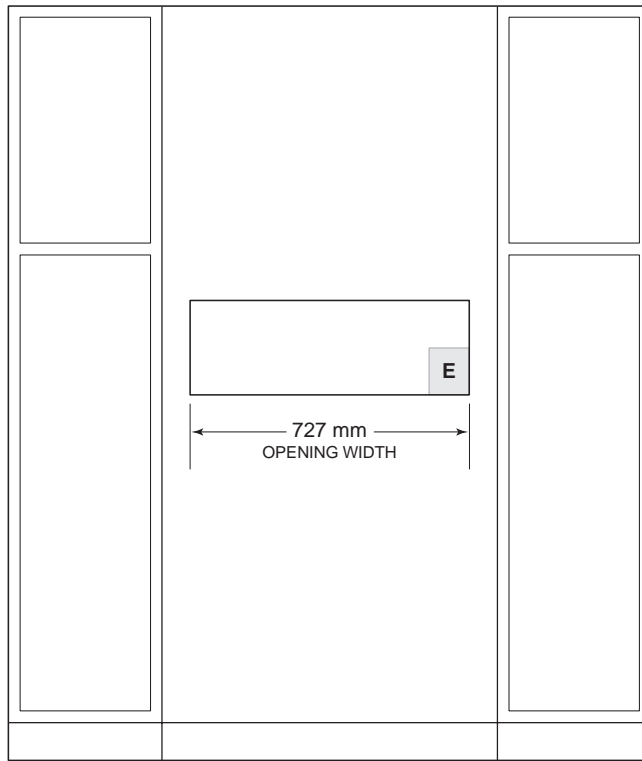
STANDARD INSTALLATION



TOP VIEW



SIDE VIEW



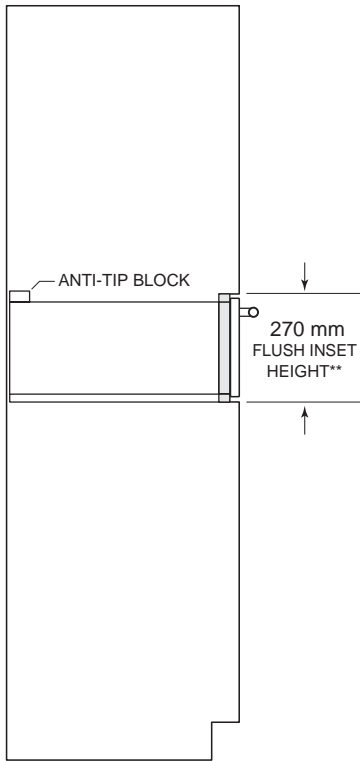
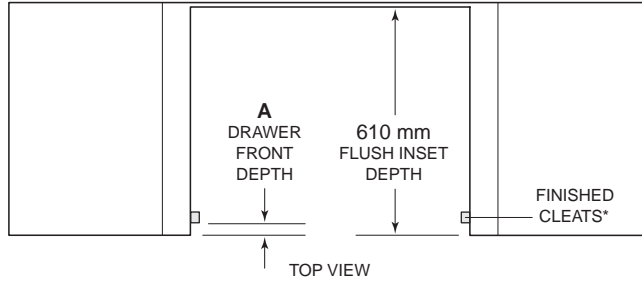
FRONT VIEW

NOTE: Location of electrical supply within opening may require additional cabinet depth.

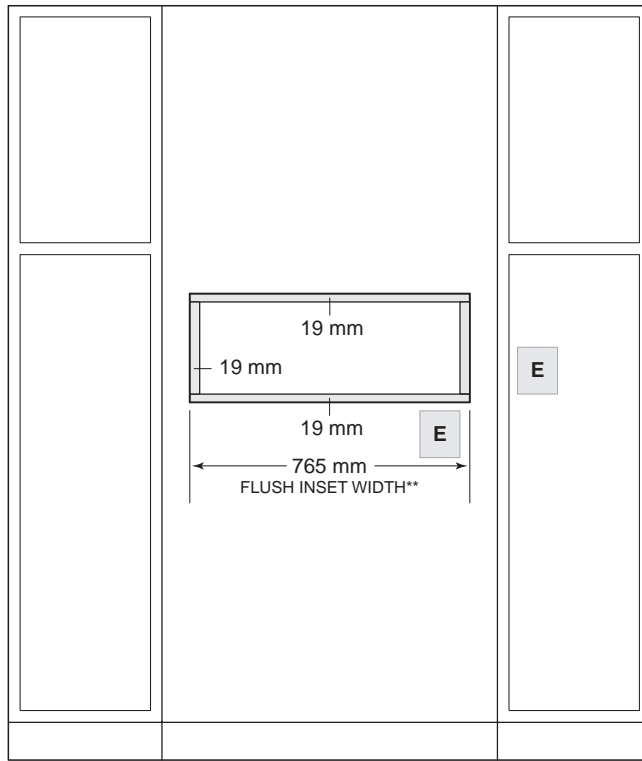
WARMING DRAWERS

Warming Drawer

FLUSH INSET INSTALLATION



SIDE VIEW



FRONT VIEW

*Will be visible and should be finished to match cabinetry.

**Dimension provides minimum reveals.

NOTE: Location of electrical supply within opening may require additional cabinet depth.

DRAWER FRONT DEPTH (A)	M SERIES	E SERIES
Transitional Professional	22 mm	29 mm
Professional (51 mm thick)	NA	54 mm
Contemporary	25 mm	35 mm

Custom front panel depth is dependent on panel thickness.

Wolf Appliance International Limited Warranty

FOR RESIDENTIAL USE

FULL TWO YEAR WARRANTY*

For two years from the date of original installation, this Wolf Appliance product warranty covers all parts and labor to repair or replace, under normal residential use, any part of the product that proves to be defective in materials or workmanship. All service provided by Wolf Appliance under the above warranty must be performed by Wolf factory certified service, unless otherwise specified by Wolf Appliance, Inc. Service will be provided during normal business hours.

LIMITED THIRD THROUGH FIFTH YEAR WARRANTY

For five years from the date of original installation, Wolf Appliance will repair or replace the following parts that prove to be defective in materials or workmanship: gas burners (excluding appearance), electric heating elements, blower motors (ventilation hoods), electronic control boards, magnetron tubes and induction generators. The part(s) will be repaired or replaced, free of charge, with the owner paying for all other costs including labor. All service provided by Wolf Appliance under the above warranty must be performed by Wolf factory certified service, unless otherwise specified by Wolf Appliance, Inc. Service will be provided during normal business hours.

For more information regarding your Wolf product warranty, contact your authorized Wolf dealer. Warranties must comply to all country, state, city, local and or ordinance.

*Stainless steel (doors, panels, handles, product frames and interior surfaces) are covered by a limited 60-day parts and labor warranty for cosmetic defects.



Wolf Appliance International Outdoor Limited Warranty*

FOR RESIDENTIAL USE

FULL ONE YEAR WARRANTY**

For one year from the date of original installation, this Wolf Appliance product warranty covers all parts and labor to repair or replace, under normal residential use, any part of the product that proves to be defective in materials or workmanship. All service provided by Wolf Appliance under the above warranty must be performed by Wolf factory certified service, unless otherwise specified by Wolf Appliance, Inc. Service will be provided during normal business hours.

LIMITED FIVE YEAR WARRANTY

For five years from the date of original installation, Wolf Appliance will repair or replace the following parts that prove to be defective in materials or workmanship: stainless steel briquette trays, gas valves, drip pans, electronic control boards and electric heating elements. If the owner uses Wolf factory certified service, the service provider will repair or replace these parts with the owner paying for all other costs, including labor. If the owner uses non-certified service, the owner must contact Wolf Appliance, Inc. (using the information below) to receive repaired or replacement parts. Wolf Appliance will not reimburse the owner for parts purchased from non-certified service or other sources.

For more information regarding your Wolf product warranty, contact your authorized Wolf dealer. Warranties must comply to all country, state, city, local and or ordinance.

*Product must be approved for outdoor use, designated by model and serial number.

**Stainless steel (doors, panels, handles, product frames and interior surfaces) are covered by a limited 60-day parts and labor warranty for cosmetic defects.





subzero-wolf.com.au