

**ICBCSO30PE/S/PH**

**FEATURES**

Rigorously tested for decades of use

---

Exceptional support from our Customer Care team

---

Gourmet mode adjusts time, temperature, humidity for perfect results

---

Larger than similar units, can make multiple dishes at once

---

Program in when you want your dish to be ready

---

Easy-access water tank provides 90 minutes of steam cooking

---

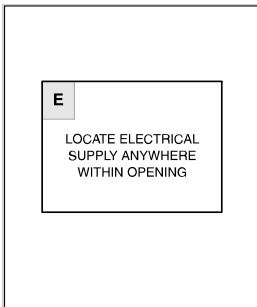
Temperature probe cooks to ideal doneness and lets you know when it's ready



**PRODUCT SPECIFICATIONS**

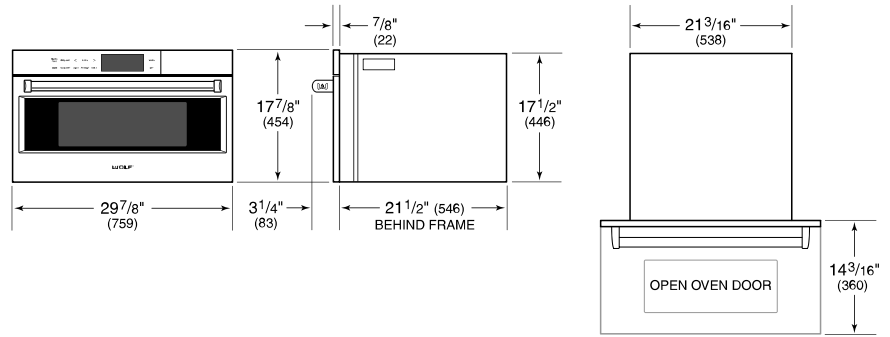
Model	ICBCSO30PE/S/PH
Dimensions	759mmW x 454mmH x 546mmD
Oven Interior Dimensions	454mmW x 279mmH x 400mmD
Capacity	51 L
Door Clearance	360mm
Weight	36 kg
Electrical Supply	220-240 VAC; 50 Hz
Electrical Service	3800 W

**ELECTRICAL**

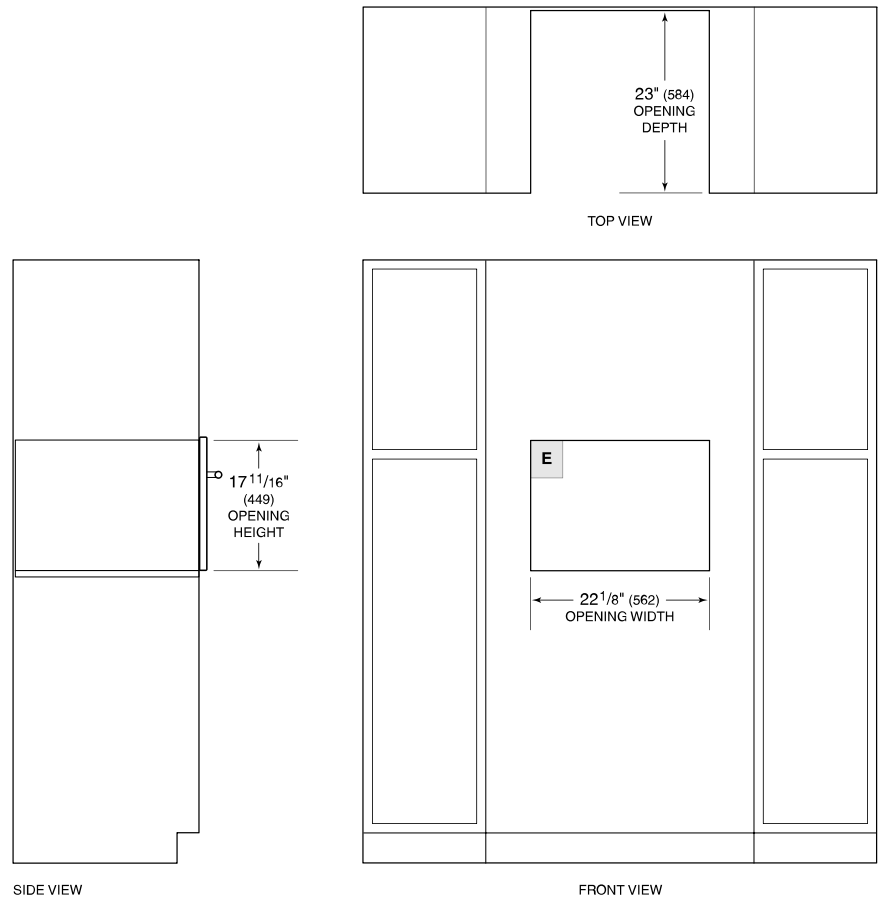


**NOTE:** Dimensions in parenthesis are in millimeters unless otherwise specified

**DIMENSIONS**



**STANDARD INSTALLATION**



SIDE VIEW

FRONT VIEW

**NOTE:** 24" (610) and 30" (762) models require the same opening dimensions.