

ICBOG42

FEATURES

Rigorously tested for decades of use

Exceptional support from our Customer Care team

Available built-in

Three individually contained grill burners for versatile cooking

Utilizes both direct and radiant heat for more thorough grilling

Halogen lights for night-time grilling

Double-wall hood front holds in heat

Hood assist system makes opening and closing easy

Three-position warming rack for the exact temperature you want

Electric hot surface ignition for reliable start ups

Heavy-duty stainless steel construction

Infrared sear zone seals in juices and flavors

Two-position rotisserie handles foods big and small

ACCESSORIES

Canvas covers

Griddle Plate

Black control knob(s)

Accessories available through an authorized dealer.
For local dealer information, visit subzero-wolf.com/locator.



KNOB OPTIONS



GRILL SPECIFICATIONS

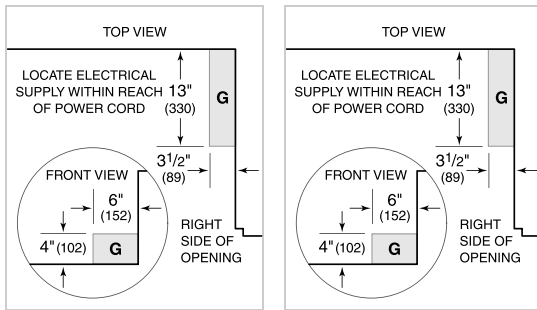
- 2 - 29 MJ Burners
- 1 - 29 MJ Sear Burner
- 1 - 17 MJ Rotisserie Burner

PRODUCT SPECIFICATIONS

Model	ICBOG42
Dimensions	1067mmW x 686mmH x 762mmD
Weight	122 kg
Electrical Supply	220-240 VAC; 50/60 Hz
Electrical Service	10 amp dedicated circuit
Gas Supply	19 mm minimum
Gas Inlet	13 mm

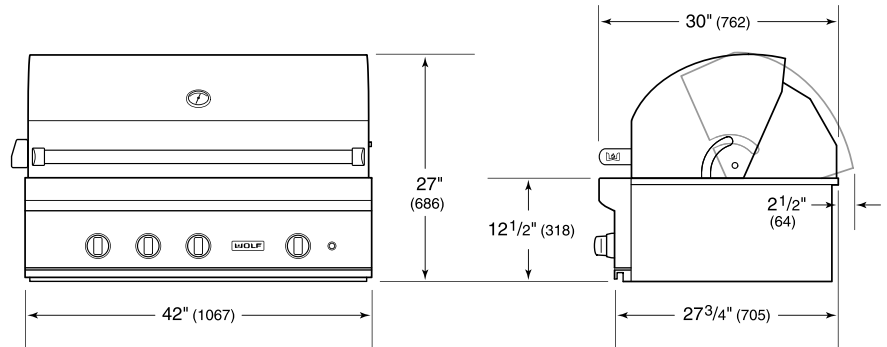
ELECTRICAL

GAS

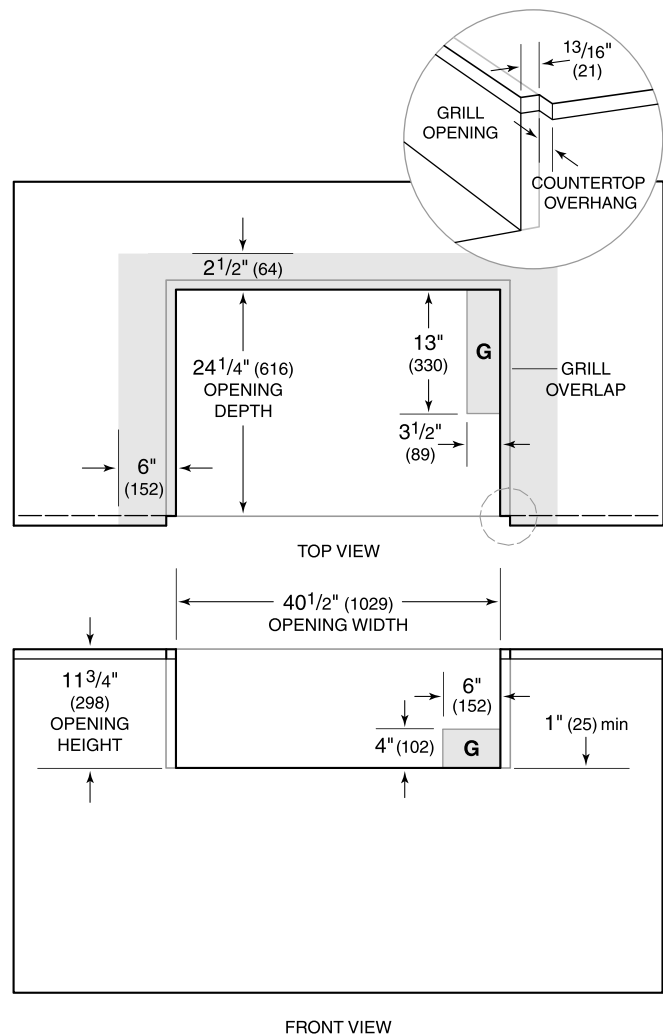


NOTE: Dimensions in parenthesis are in millimeters unless otherwise specified

DIMENSIONS



STANDARD INSTALLATION



NOTE: Shaded area above countertop indicates minimum clearance to combustible surfaces, combustible materials cannot be located within this area.