

ICBSO2418TE/S/TH



### FEATURES

11 cooking modes make meals easy

Black porcelain interior

Installs flush or proud with surrounding cabinetry

Self clean, delayed start, timed cook and more

Single convection oven for fast, consistent cooking

Quicker preheat for faster meal prep

Adjustable oven rack plus porcelain-coated pan

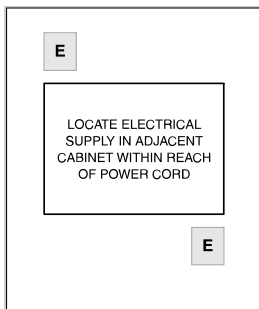
Dual halogen lights for better interior views



**PRODUCT SPECIFICATIONS**

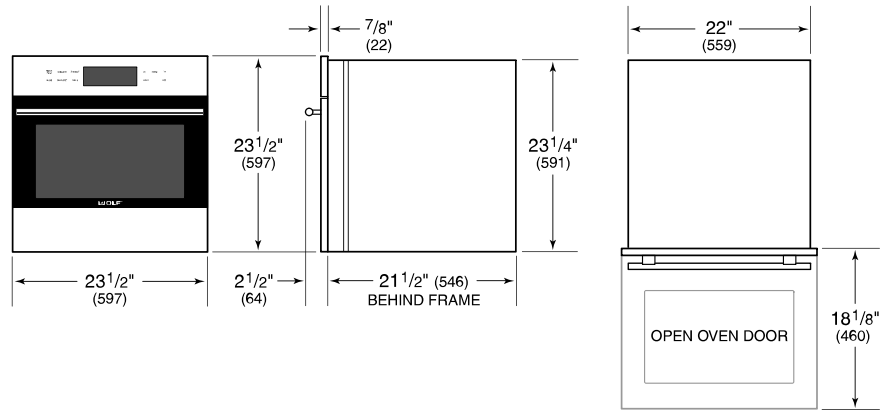
|                            |                          |
|----------------------------|--------------------------|
| Model                      | ICBSO2418TE/S/TH         |
| Dimensions                 | 597mmW x 454mmH x 546mmD |
| Oven 1 Interior Dimensions | 454mmW x 279mmH x 400mmD |
| Overall Capacity           | 51 L                     |
| Door Clearance             | 360mm                    |
| Weight                     | 36 kg                    |
| Electrical Supply          | 220-240 VAC; 50/60 Hz    |
| Electrical Service         | 3.4 kW                   |

**ELECTRICAL**

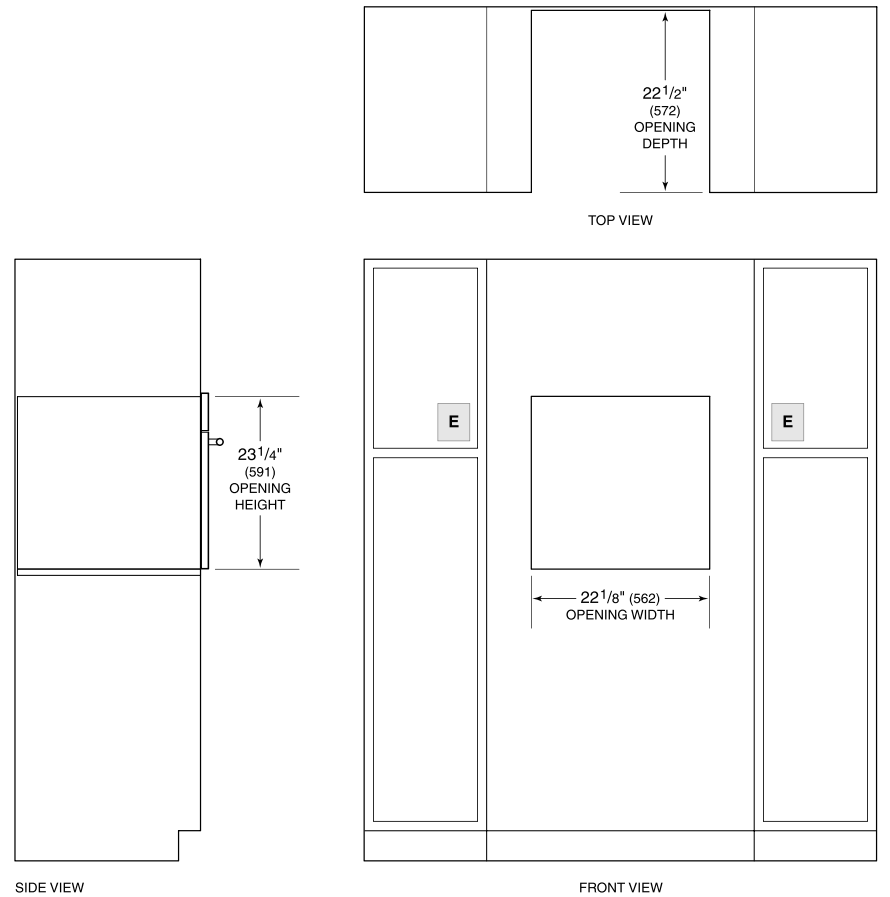


**NOTE:** Dimensions in parenthesis are in millimeters unless otherwise specified

**DIMENSIONS**



**STANDARD INSTALLATION**



SIDE VIEW

FRONT VIEW

**NOTE:** Electrical supply must be located in adjacent cabinet within 3' (.9 m) of opening.