

OUTDOOR GAS GRILL
INSTALLATION GUIDE

SPECIFICATIONS, INSTALLATION, AND MORE



Contents

- 3 Outdoor Gas Grill
- 4 Safety Precautions
- 5 Specifications
- 9 Installation
- 18 Troubleshooting

Features and specifications are subject to change at any time without notice. Visit wolfappliance.com/specs for the most up-to-date information.

Important Note

To ensure this product is installed and operated as safely and efficiently as possible, take note of the following types of highlighted information throughout this guide:

IMPORTANT NOTE highlights information that is especially important.

CAUTION indicates a situation where minor injury or product damage may occur if instructions are not followed.

WARNING states a hazard that may cause serious injury or death if precautions are not followed.

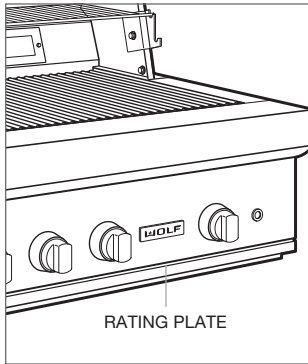
IMPORTANT NOTE: Throughout this guide, dimensions in parentheses are millimeters unless otherwise specified.

IMPORTANT NOTE: Save these instructions for the local electrical inspector.

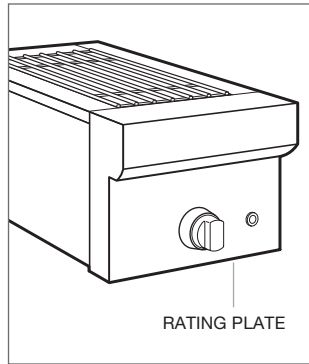
Product Information

Important product information, including the model and serial number, are listed on the product rating plate. For outdoor grills, the rating plate is located above the drip tray, behind the logo. The drip tray must be removed to view the rating plate. For outdoor modules, the rating plate is located on the bottom of the control panel, on the right side. Refer to the illustrations below.

If service is necessary, contact Wolf Factory Certified Service with the model and serial number. For the name of the nearest Wolf Factory Certified Service or for questions regarding the installation, visit the contact and support section of our website, wolfappliance.com, or call Wolf Customer Care at 800-222-7820.



Outdoor gas grill



Outdoor module

IMPORTANT INSTRUCTIONS

- Wolf outdoor gas grills and modules are for outdoor use only. Do not install or operate in an enclosed area.
- Installation must be performed by a qualified installer, service agency or the gas supplier.
- Warranty service must be performed by Wolf Factory Certified Service.
- Do not store or use gasoline or other flammable liquids or vapors in the vicinity of this or any other appliance. An LP gas cylinder not connected for use shall not be stored in the vicinity of this or any other appliance.
- In Massachusetts: All gas products must be installed using a “Massachusetts” licensed plumber or gasfitter. A “T” handle type manual gas valve must be installed in the gas supply line to this appliance. This applies to permanently installed natural gas and propane installations. This does not apply to propane portable installations using a 20-lb tank.
- A built-in appliance for use with a remote self-contained LP gas supply system must use rigid pipe, semi-rigid tubing, or a connector complying with the Standard for Connectors for Gas Appliances, ANSI Z21.24/CSA 6.10, or the Standard for Connectors for Outdoor Gas Appliances and Manufactured Homes, ANSI Z21.75/CSA 6.27, to connect the appliance to the remote self-contained gas supply system. When using semi-rigid tubing, aluminum, or aluminum alloy tubing is not permitted.

BEFORE LIGHTING:

- Read instructions before lighting.
- Open the hood or remove the cover before lighting.
- If ignition does not occur in 5 seconds, turn the burner control(s) off, wait 5 minutes, and repeat the lighting procedure.

WHAT TO DO IF YOU SMELL GAS:

- Shut off gas to the appliance.
- Extinguish any open flames.
- Open the hood or remove the cover.
- If the odor continues, keep away from the appliance and immediately call your gas supplier or fire department.

Installation Requirements

For portable applications, Wolf grill carts are designed specifically to fit grill models OG30, OG36 and OG42 and the side burner. Model OG54 is designed for built-in applications only.

For built-in applications, Wolf outdoor grills and the burner module are designed for easy placement into a built-in enclosure. For outdoor grills, installation in a combustible enclosure requires an insulating liner. For the burner module, an insulating liner is not required. The enclosure should be built according to specifications for your specific installation on the following pages. If the burner module is installed next to an outdoor grill, a minimum of 12" (305) is required between the units on the rotisserie motor side and 2" (51) on the opposite side. A rotisserie side conversion kit is available from an authorized Wolf dealer.

Grill carts, insulating liners, and stainless steel doors and drawers are available through an authorized Wolf dealer. For local dealer information, visit the find a showroom section of our website, wolfappliance.com.

Electrical Requirements

Installation must comply with all applicable electrical codes.

The electrical outlet must be located within reach of the power cord. A separate circuit, servicing only this appliance is required.

IMPORTANT NOTE: A ground fault circuit interrupter (GFCI) is required to reduce the risk of electrical shock.

ELECTRICAL REQUIREMENTS

Electrical Supply	grounded, 120 VAC, 60 Hz
Service	15 amp dedicated circuit
Receptacle	3-prong grounding-type, GFCI
Power Cord	6' (1.8 m), 9' (2.7 m) rotisserie

SPECIFICATIONS

Gas Supply

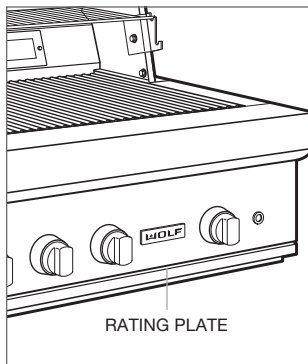
Installation must comply with local codes or, in the absence of local codes, with the National Fuel Gas Code.

Locate the gas supply within the shaded area shown in the illustrations on pages 7–8.

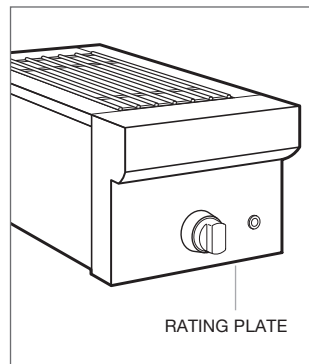
The outdoor grill is equipped for use with natural or liquid propane (LP) gas. It is design certified by the Canadian Standards Association (CSA) for natural or LP gases. The product rating plate has information on the type of gas that should be used. For rating plate location, refer to the illustration below. If this information does not agree with the type of gas available, check with the local gas supplier.

GAS REQUIREMENTS

NATURAL GAS		WC
Supply Pressure		5" (12.5 mb)
Min Line Pressure		7" (17.5 mb)
Max Regulator Pressure	14" (34.9 mb), .5 psi (3.5 kPa)	
LP GAS		WC
Supply Pressure		10" (25 mb)
Min Line Pressure		11" (27.4 mb)
Max Regulator Pressure	14" (34.9 mb), .5 psi (3.5 kPa)	



Outdoor gas grill

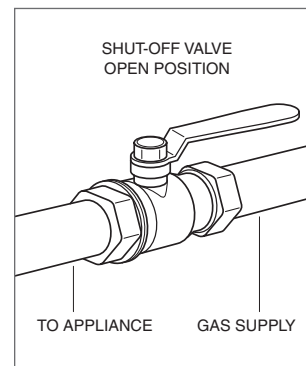


Outdoor module

The outdoor grill must be connected to a regulated gas supply. The supply line must be equipped with an approved external gas shut-off valve located near the grill in an accessible location. Do not block access to the shut-off valve. Refer to the illustration below.

A gas supply of $\frac{3}{4}$ " (19) ID line must be provided to the outdoor grill or module. If local codes permit, a certified, 3' (.9 m) long, $\frac{1}{2}$ " (13) or $\frac{3}{4}$ " (19) ID flexible metal appliance connector is recommended to connect the units $\frac{1}{2}$ " NPT female inlet to the gas supply line. Pipe joint compounds, suitable for use with natural or LP gas should be used.

The appliance and its shut-off valve must be disconnected from the gas supply piping system during any pressure testing of the system at test pressures in excess of .5 psi (3.5 kPa). The appliance must be isolated from the gas supply piping system by closing its individual manual shut-off valve during any pressure testing of the system at test pressures equal to or less than .5 psi (3.5 kPa).

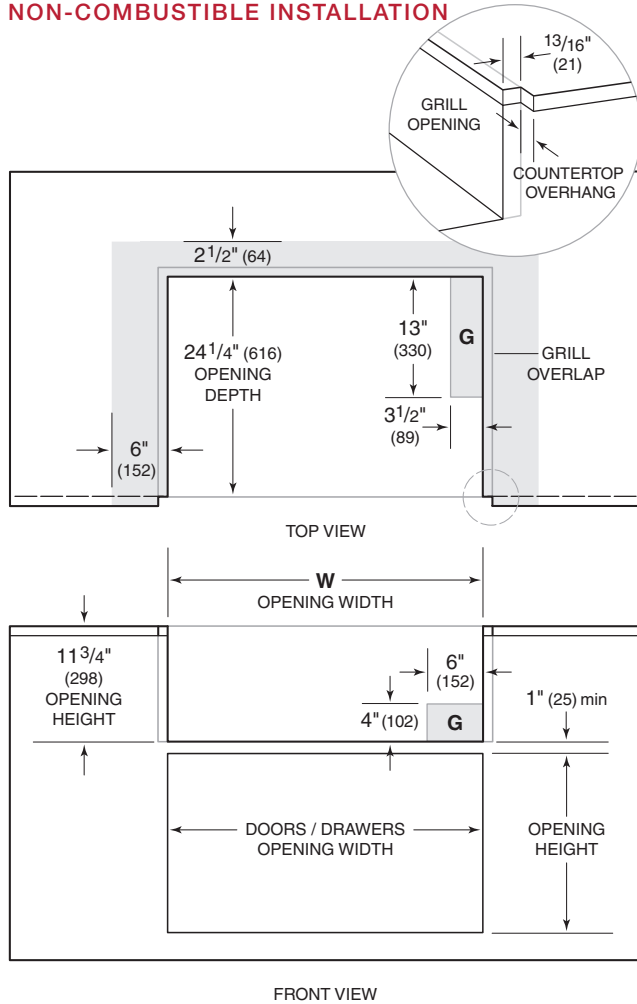


Gas shut-off valve

SPECIFICATIONS

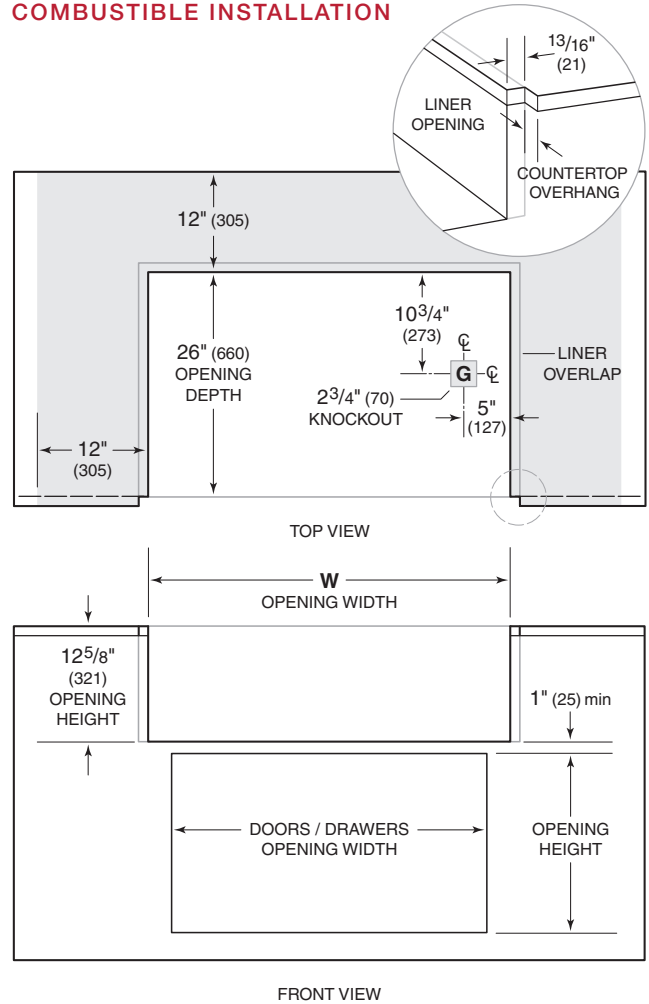
Outdoor Grills

NON-COMBUSTIBLE INSTALLATION



NOTE: Shaded area above countertop indicates minimum clearance to combustible surfaces, combustible materials cannot be located within this area.

COMBUSTIBLE INSTALLATION



NOTE: Shaded area above countertop indicates minimum clearance to combustible surfaces, combustible materials cannot be located within this area.

NON-COMBUSTIBLE ENCLOSURE

	WIDTH (W)
OG30	28 1/2" (724)
OG36	34 1/2" (876)
OG42	40 1/2" (1029)
OG54	52 1/2" (1334)

COMBUSTIBLE ENCLOSURE

	WIDTH (W)
OG30	33 1/2" (851)
OG36	39 1/2" (1003)
OG42	45 1/2" (1156)
OG54	57 1/2" (1461)

SPECIFICATIONS

Outdoor Grills

ACCESSORY DOORS AND DRAWERS

OPENING

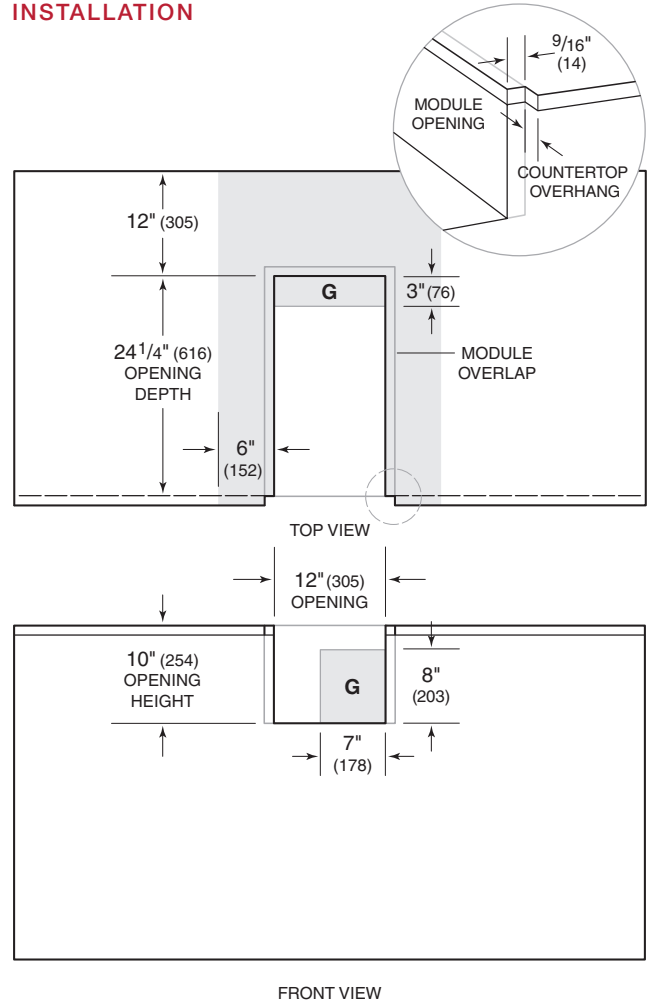
DOORS	W	H
18" Single	16 ¹ / ₄ " (413)	19" (483)
30" Double	28 ¹ / ₄ " (718)	19" (483)
36" Double	34 ¹ / ₄ " (870)	19" (483)
42" Double	40 ¹ / ₄ " (1022)	19" (483)
54" Double	52 ¹ / ₄ " (1327)	19" (483)

DRAWERS

	W	H
Single Drawer	27 ¹ / ₄ " (692)	9 ³ / ₄ " (248)
2- or 3-Drawer Unit	12 ¹ / ₈ " (308)	19" (483)
Drawer Door Unit	29 ¹ / ₄ " (743)	19" (483)

Burner Module

INSTALLATION

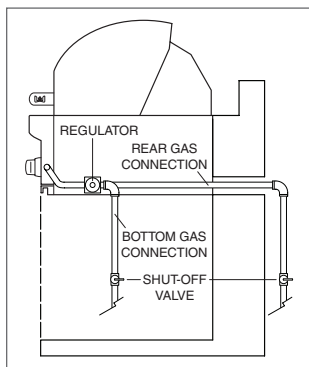


NOTE: Shaded area above countertop indicates minimum clearance to combustible surfaces, combustible materials cannot be located within this area. An insulating liner is not required.

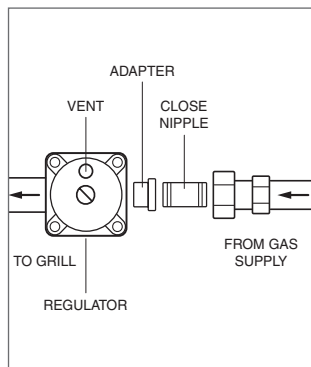
Gas Supply Line

NATURAL GAS CONNECTION

Install the natural gas pressure regulator supplied with the outdoor product with the arrow on the regulator pointing towards the unit. Refer to the illustrations below for a typical natural gas installation.



Natural gas connection



Natural gas regulator

LP GAS CONNECTION

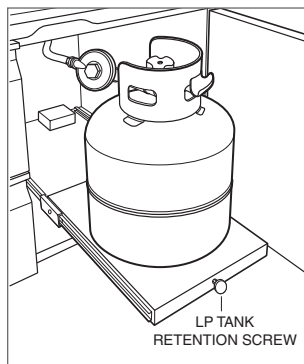
For a whole house LP gas connection, the LP gas pressure regulator is not provided. It can be purchased from an authorized Wolf dealer. For local dealer information, visit the find a showroom section of our website, wolfappliance.com.

For connection to LP gas cylinder, use only the LP gas pressure regulator and hose supplied with the outdoor product. Use only a 20-lb LP gas cylinder with an approved overfilling preventive device (OPD) and shut-off valve terminating in the cylinder valve outlet.

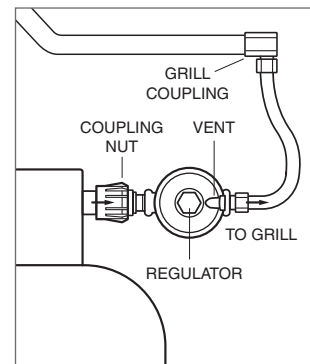
- 1 Connect the $\frac{3}{8}$ " flare end of the hose to the unit coupling. Do not apply pipe sealant to the flare connection.
- 2 Install the LP gas cylinder, pull out the shelf, and place the cylinder on it. Refer to the illustration below.
- 3 Ensure the gas valve on top of the cylinder is closed.
- 4 Connect the LP gas regulator to the cylinder and hand-tighten only. Open the cylinder valve. Check for gas leaks. Refer to the illustration below.
- 5 Tighten the LP tank retention screw to secure the cylinder to the shelf.

⚠ WARNING

Perform a gas leak test each time the LP gas cylinder is changed. Do not place more than one LP gas cylinder in an enclosure at a time.



LP tank shelf



LP gas cylinder connection

Gas Supply Line

LP GAS SAFETY REQUIREMENT

This gas appliance and its individual shut-off valve must be disconnected from the gas supply piping system during any pressure testing of that system at test pressures greater than .5 psi (3.5 kPa).

This gas appliance must be isolated from the gas supply piping system by closing its individual manual shut-off valve during pressure testing of the gas supply piping system at test pressures equal to or less than .5 psi (3.5 kPa).

GAS LEAK TESTING

Perform a gas leak test at least once a year, each time the LP gas cylinder is connected to the regulator, and any time part of the gas line is disconnected or replaced. This applies to natural gas as well as LP gas.

- 1 Prepare a leak testing solution of half liquid soap and half water in a spray bottle.
- 2 Verify all control knobs are in the OFF position.
- 3 Turn the cylinder valve knob counterclockwise one turn to open.
- 4 Spray the leak testing solution on pipe joints, fittings, and hose. Bubbles in the solution indicate a gas leak.
- 5 Tighten any loose joint or replace any faulty part with a Wolf replacement part to stop the leak. Do not attempt to repair the cylinder valve. If damaged, the cylinder must be replaced.
- 6 If the leak persists, shut off the gas supply at the cylinder valve and remove the LP gas cylinder. Call Wolf Factory Certified Service. Do not use the outdoor product until the leak has been fixed.
- 7 Push in and turn any control knob to the ON position to release pressure, then turn the control knob back to OFF.

WARNING

To prevent fire or explosion hazard, do not smoke or permit sources of ignition in the area while performing a gas leak test. Perform the gas leak test outdoors in a well ventilated area. Never use an open flame to check for gas leaks.

INSTALLATION

Installation

PREPARATION

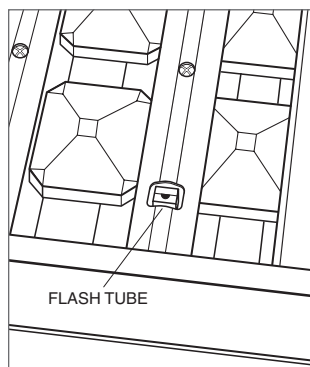
Remove and recycle packing materials. Remove labels and the protective plastic film from the grill.

Place the briquette trays in the grill above the burners with the flash tubes positioned at the front. Refer to the illustration below. Place the burner grates directly above the briquette trays with the square openings in the grates at the front.

POWER TRANSFORMER

For a built-in installation, secure the transformer box in a dry location, away from the grill firebox and excessive heat area, but within 2' (.6 m) of the right rear opening. Do not install the transformer box inside the insulating liner.

For a cart installation, mount the transformer box by the two screws located at the bottom right rear corner of the grill cart, behind the pull-out shelf. Use the same transformer for the side burner if installed.



Flash tube position

CART INSTALLATION

- 1 Two mounting screws are provided at the bottom right rear corner of the cart for the power transformer. Install the transformer box.
- 2 Remove the front mounting screws from the cart. Place the grill onto the cart, allowing enough space at the back to make the connection to the transformer.
- 3 Make the connections from the wiring harness located at the right rear of the grill to the transformer, then slide the grill back until it is fully engaged with the cart.
- 4 Secure the grill to the cart with the four screws provided. Mounting holes in the upper back corners of the grill will align with the holes in the cart. Secure with two screws. Remove the drip tray. Install two screws through the side mounting holes below the grill front panel and into the cart.

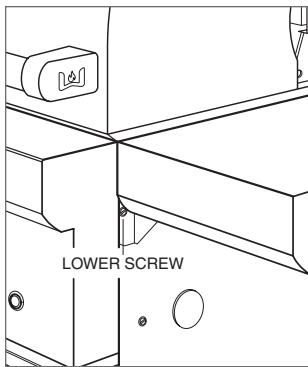
INSTALLATION

Side Burner Installation

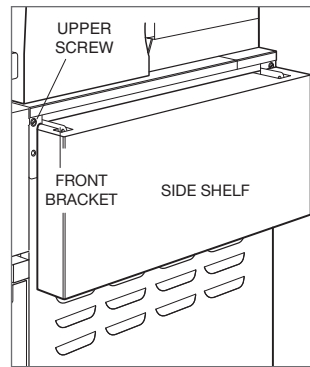
The Wolf side burner can be installed on the right side of any Wolf grill cart.

PREPARE GRILL CART

- 1 If installed, the right side shelf must be removed. To remove, lift the shelf up so the lower front screw is exposed, then remove the screw. Refer to the illustration below.
- 2 Fold the side shelf down and remove the upper front screw, then remove the side shelf and front bracket. Refer to the illustration below.

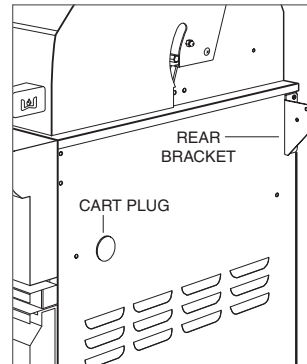


Side shelf lower screw

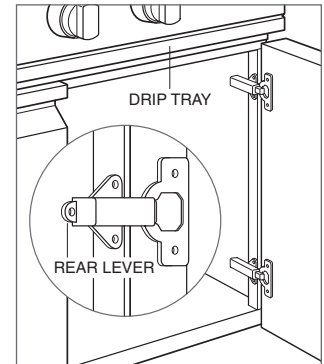


Side shelf upper screw

- 3 Remove the rear screws and bracket, then remove the cart plug from the access hole by pushing out from inside the cart. Refer to the illustration below.
- 4 For easier access, the upper rear panel and right side door of the cart can be removed. Remove the rear panel by removing the four screws.
- 5 To remove the right side door, depress the rear lever on each hinge, then remove the door. Refer to the illustration below.
- 6 For easier access, the drip tray of the grill can be removed. To remove, slide forward and lift out.
- 7 Insert the provided plastic bushing through the access hole from inside the grill cart where the cart plug was removed previously.



Remove rear bracket and plug

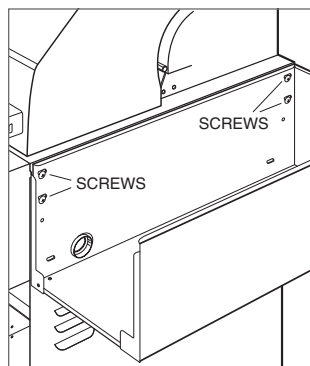


Remove cart door

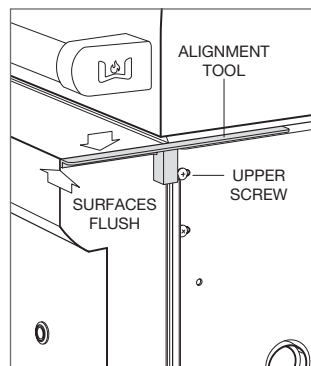
Side Burner Installation

INSTALL SIDE BURNER SHROUD

- 1 The side burner is placed inside the shroud for shipping. Lift out to remove.
- 2 Hang the shroud by hand-starting the four provided 10-32 machine screws through the upper slots of the shroud into the upper holes of the cart. Do not fully tighten the screws until the shroud is properly aligned. Refer to the illustration below.
- 3 Place the provided alignment tool with the lip placed in the gap between the grill and the shroud as shown in the illustration below.
- 4 To align the front of the shroud, push the alignment tool back until the center block of the tool is flush against the front vertical flange of the shroud.
- 5 Align the front of the shroud (up and down) with the alignment tool until the top of the tool is flush with the top surface of the grill bullnose. Align the shroud (front to back) with the tool until the front of the tool is flush with the front of the bullnose. Tighten the upper screw. Refer to the illustration below.

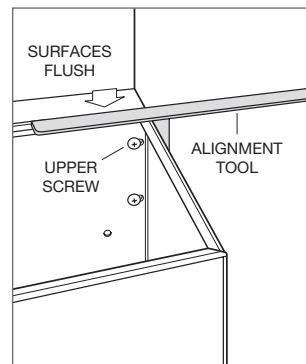


Hang shroud

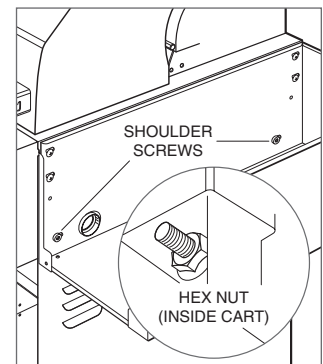


Align front of shroud

- 6 To align the back of the shroud, place the alignment tool at the rear of the shroud. Align the rear of the shroud (up and down) with the tool until the top of the tool is flush with the top surface of the grill. Tighten the upper screw. Refer to the illustration below. With the alignment tool, verify the front of the shroud did not move, realign if necessary.
- 7 Remove the alignment tool and tighten the two remaining screws to the slots just below the upper screws.
- 8 Install the two provided $\frac{5}{16} \times \frac{3}{8}$ hex drive shoulder screws into the lower holes of the shroud and through the cart. Place the two $\frac{1}{4}$ -20 hex nuts from inside the cart and tighten. Refer to the illustration below.



Align back of shroud



Secure shroud

INSTALLATION

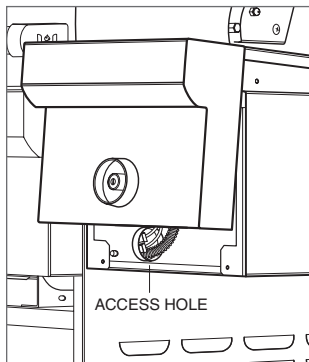
Side Burner Installation

For natural gas installations, the gas line connection must be made before installing the side burner.

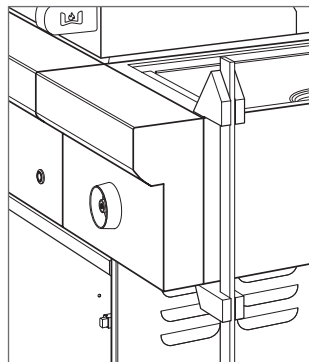
INSTALL SIDE BURNER

- 1 Place the side burner into the shroud as shown in the illustration below. Guide the flexible gas line and wire harness into the cart access hole. Verify alignment of the unit prior to securing the side burner to the shroud. If the side burner does not align properly, remove, loosen screws, and check the shroud alignment with the tool. Reposition the side burner until properly aligned.
- 2 Place a bar clamp with protected ends behind bullnose on the fire box and under the shroud. Do not include any part of bullnose within the bar clamp. Refer to the illustration below.

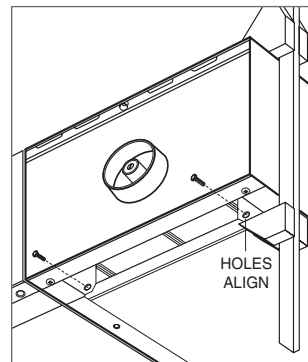
- 3 Compress the bar clamp until the hole in the bullnose aligns with the threaded hole in the shroud. The alignment and placement of this screw is very important to the side burner alignment. Refer to the illustration below.
- 4 Attach the side burner to the shroud by first placing the provided 8-32 hex cap screw into the right side of the front underside of the bullnose and into the shroud. Then place the left side hex cap screw. Tighten the screws and remove the bar clamp.
- 5 At the rear of the unit, push the side burner toward the grill to establish the proper gap at the rear. Loosen the rear cart screws and shift the grill if necessary to achieve the proper gap. Install the two provided 8-18 pan head screws through the shroud and into the rear of the side burner as shown in the illustration below. Verify proper alignment.



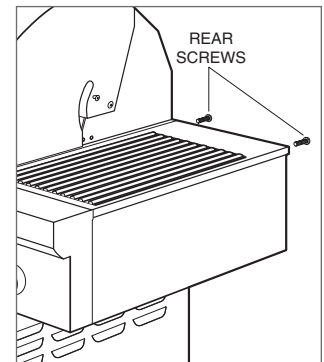
Position side burner



Position bar clamp



Hole alignment

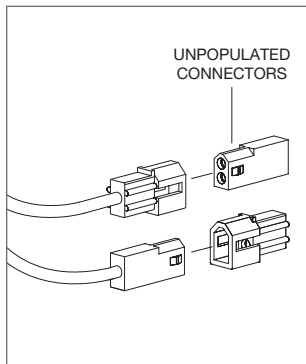


Secure side burner

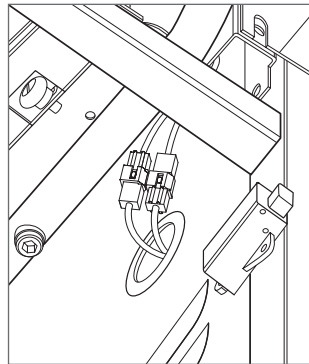
Side Burner Installation

ELECTRICAL CONNECTION

- 1 Depending on the serial number of the grill, there may be one or two connectors near the front of the grill just above the manifold. Refer to the auxiliary harness section for serial numbers. Locate the connector(s) by looking above the manifold near the front of the grill.
- 2 Remove the unpopulated connector housing(s) from the wire harness(es) coming from the grill as shown in the illustration below.
- 3 Attach the appropriate connector housing(s) from the side burner to the grill. Refer to the illustration below. If only one connector is found on the grill, refer to the auxiliary harness section for assembly of the second connector housing.



Connectors

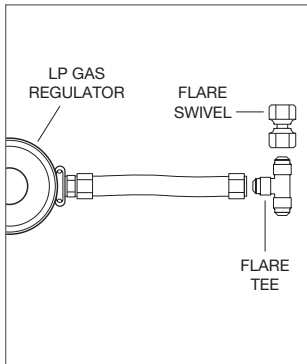


Connector housing

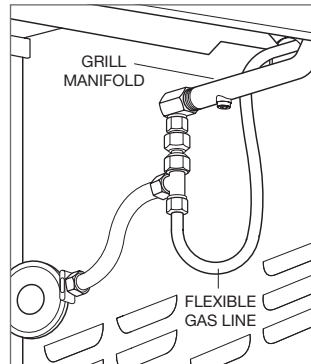
Side Burner Installation

LP GAS CONNECTION

- 1 Connect the 2-stage LP gas regulator to the flare tee at the location shown. Connect the flare swivel connector to one end of the flare tee. Refer to the illustration below.
- 2 Connect the regulator assembly to the flexible gas line coming into the grill cart from the side burner as shown in the illustration below.
- 3 Connect the regulator assembly to the grill manifold at the flare swivel connector as shown in the illustration below.
- 4 Reinstall the rear panel and door of the grill cart. Reposition the grill drip tray. Place the burner cap on the burner head, place the grate on the burner pan, and affix the knob to the bezel with the bezel nylon liner.



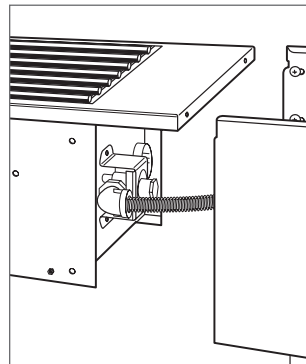
LP gas regulator assembly



LP gas connection

NATURAL GAS CONNECTION

- 1 Split the high pressure natural gas line into two lines, one to attach to the grill natural gas regulator and one to attach to the side burner via the flexible line and 1/2" NPT adapter. Place the flexible gas line through the cart access hole.
- 2 Place the flexible gas line through the cart access hole and attach to the side burner regulator at the pipe elbow. The elbow may be rotated to face downward for larger adapters. Do not rotate the elbow upward. Refer to the illustration below.



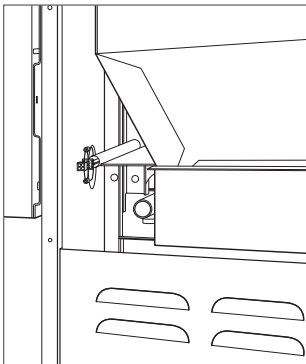
Natural gas connection

Side Burner Installation

AUXILIARY HARNESS (IF APPLICABLE)

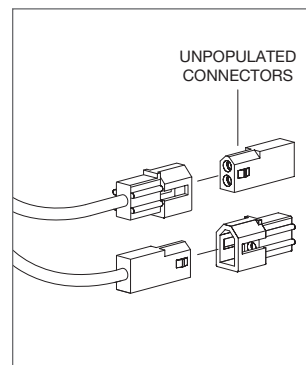
If the Wolf outdoor grill has a serial number prior to the numbers listed (OG30: 11364339, OG36: 11363946, OG42: 11363911), an auxiliary harness will be provided with the side burner. If not, contact Wolf Customer Care at 800-222-7820.

- 1 The upper rear panel of the grill cart must be removed to install the auxiliary harness. Remove the rear panel by removing the four screws.
- 2 With the provided wire ties, attach the auxiliary harness to the fire box fin or existing wire harness. The 4-pin connector cluster should be placed facing the rear of grill and the 2-pin connector facing the front. The harness must be tied down tightly and must not touch the grill fire box. Refer to the illustration below.

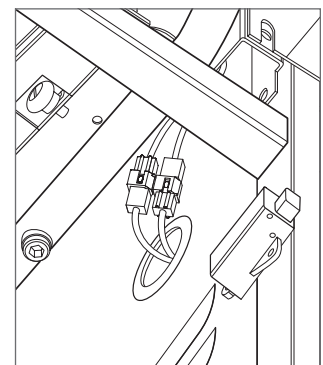


Auxiliary harness

- 3 If connected, disconnect the transformer 4-pin connector at the rear of the grill. Attach one of the 4-pin connectors to the 4-pin connector attached to the grill. Attach the other 4-pin connector to the 4-pin connector from the transformer.
- 4 Remove the unpopulated connector housing from the wire harness coming from the grill. Insert each connector housing from the side burner harness to the corresponding housing on the grill harness and on the auxiliary harness. There are two connections to be made. Refer to the illustrations below.
- 5 Reinstall the upper rear panel of the cart.



Connectors



Connector housing

Troubleshooting

IMPORTANT NOTE: If the outdoor gas grill does not operate properly, follow these troubleshooting steps:

- Verify electrical power is supplied to the grill.
- Verify proper gas supply.
- Verify the gas supply shut-off valve is in the open position.
- If the outdoor gas grill does not operate properly, contact Wolf Factory Certified Service. Do not attempt to repair the grill. Wolf is not responsible for service required to correct a faulty installation.

Sub-Zero, Sub-Zero & Design, Sub-Zero & Snowflake Design, Dual Refrigeration, The Living Kitchen, Great American Kitchens The Fine Art of Kitchen Design, Wolf, Wolf & Design, Wolf Gourmet, W & Design, red colored knobs, Cove, and Cove & Design are registered trademarks and service marks of Sub-Zero Group, Inc. and its subsidiaries. All other trademarks are property of their respective owners in the United States and other countries.

Contenido

- 3 Parrilla de gas para exteriores
- 4 Precauciones de seguridad
- 5 Especificaciones
- 9 Instalación
- 18 Resolución de problemas

Las características y especificaciones están sujetas a cambios sin previo aviso. Visite wolfappliance.com/specs para obtener la información más actualizada.

Aviso importante

Para garantizar que este producto se instale y opere de la forma más segura y eficiente posible, tome nota de los siguientes tipos de información resaltada en esta guía:

AVISO IMPORTANTE señala la información que es especialmente importante.

PRECAUCIÓN indica una situación en la que se pueden sufrir heridas leves o provocar daños al producto si no se siguen las instrucciones.

ADVERTENCIA indica peligro de que se produzcan heridas graves o incluso la muerte si no se siguen las precauciones.

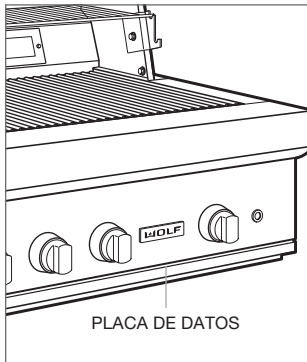
AVISO IMPORTANTE: En toda esta guía, las dimensiones entre paréntesis son milímetros, a menos que se especifique lo contrario.

AVISO IMPORTANTE: Guarde estas instrucciones para el inspector eléctrico local.

Información del producto

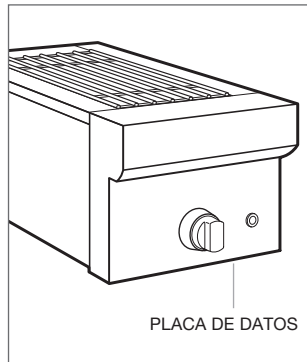
La información importante del producto, incluido el modelo y número de serie de la unidad, se encuentra en la placa de datos del producto. La placa de datos de las parrillas para exteriores se encuentra encima de la bandeja recolectora, detrás del logotipo. La bandeja recolectora se debe retirar para ver la placa de datos. En los módulos para exteriores, la placa de datos se encuentra en la parte inferior del panel de control, a la derecha. Consulte la siguiente ilustración.

Si necesita servicio, póngase en contacto con el centro de servicio autorizado de Wolf y tenga a la mano el modelo y número de serie de la unidad. Para obtener los datos del centro de servicio autorizado de Wolf más cercano o si tiene preguntas acerca de la instalación, visite la sección de contacto y soporte técnico en nuestra página de Internet wolfappliance.com o llame a la línea de atención al cliente de Wolf al 800-222-7820.



PLACA DE DATOS

Parrilla de gas para exteriores



PLACA DE DATOS

Módulo para exteriores

INSTRUCCIONES IMPORTANTES

- Las parrillas de gas y los módulos para exteriores de Wolf solo se pueden utilizar en exteriores. No los instale ni opere en áreas encerradas.
- La instalación la debe realizar un instalador calificado, agencia de servicio o proveedor de gas.
- El servicio de garantía debe ser realizado por un centro de servicio autorizado de Wolf.
- No almacene ni utilice gasolina u otros líquidos o vapores ignífugos cerca de este o de cualquier otro electrodoméstico. No se deben almacenar cilindros de gas que no estén conectados cerca de este o de cualquier otro electrodoméstico.
- En Massachusetts: Todos los productos de gas los debe instalar un plomero o instalador de tuberías de gas certificado de "Massachusetts". Se debe instalar una llave manual de gas de manija tipo "T" en la línea de suministro de gas de este electrodoméstico. Esto se aplica a las instalaciones fijas de gas natural y gas propano. No se aplica a las instalaciones portátiles de propano con un cilindro de 20 libras.
- Los electrodomésticos empotrados que utilizan un sistema de suministro de gas propano líquido remoto e independientes deben utilizar tubería rígida, semirrígida o un conector que cumpla con la Norma para conectores de electrodomésticos de gas, ANSI Z21.24/CSA 6.10, o la Norma para conectores de electrodomésticos de gas para exteriores y casas móviles, ANSI Z21.75/CSA 6.27, con el fin de conectar el artefacto al sistema de suministro de gas remoto e independiente. Si utiliza tuberías semirrígidas, no deben ser de aluminio ni de aleaciones de aluminio.

ANTES DEL ENCENDIDO:

- Lea las instrucciones antes de encender el electrodoméstico.
- Abra la campana o retire la tapa antes de encender el electrodoméstico.
- Si no hay ignición en 5 segundos, apague los controles del quemador y repita el procedimiento.

QUÉ HACER SI PERCIBE OLOR A GAS:

- Cierre la conexión de gas del electrodoméstico.
- Apague todas las llamas expuestas.
- Abra la campana o retire la tapa.
- Si persiste el olor, aléjese del electrodoméstico y llame de inmediato a su proveedor de gas o al departamento de bomberos.

Requisitos de instalación

En instalaciones portátiles, los carros para parrillas Wolf se han diseñado específicamente para los modelos OG30, OG36 y OG42 y el quemador lateral. El modelo OG54 está diseñado únicamente para aplicaciones empotradas.

En aplicaciones empotradas, las parrillas para exteriores y el módulo de quemador Wolf están diseñados para instalarlos con facilidad en un recinto empotrado. Cuando se instala una parrilla para exteriores en un recinto combustible, se necesita un revestimiento aislante. En el módulo de quemador no se necesita este revestimiento. El recinto debe estar construido de acuerdo con las especificaciones que aparece en las siguientes páginas sobre su instalación en particular. Si el módulo de quemador se instala junto a una parrilla para exteriores, debe haber una distancia mínima de 12" (305) entre las unidades en el lado del motor del asador y 2" (51) en el lado opuesto. Los distribuidores autorizados de Wolf ofrecen un kit de conversión del lado del asador.

Los distribuidores autorizados de Wolf también ofrecen carros de parrillas, revestimientos aislantes y puertas y cajones de acero inoxidable. Para obtener más información acerca de los distribuidores locales, visite la sección para encontrar una sala de exposición de nuestro sitio web, wolfappliance.com.

Instalación eléctrica

La instalación debe cumplir con todos los códigos eléctricos vigentes.

El tomacorriente eléctrico debe ubicarse al alcance del cable de corriente. Es necesario un circuito independiente que dé servicio únicamente a este aparato.

AVISO IMPORTANTE: Es necesario instalar un circuito de fallos de conexión a tierra (GFCI) para reducir el riesgo de descarga eléctrica.

REQUISITOS ELÉCTRICOS

Suministro eléctrico	Con conexión a tierra, 120 V CA, 60 Hz
Servicio	Circuito dedicado de 15 amperes
Receptáculo	Conexión a tierra de 3 clavijas con GFCI
Cable de alimentación eléctrica	6' (1.8 m), 9' (2.7 m) para el asador

Suministro de gas

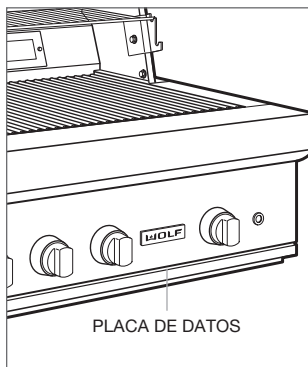
La instalación debe cumplir con los códigos locales o, en ausencia de códigos locales, con el Código Nacional de Gas Combustible.

Localice el suministro de gas en la zona sombreada que se muestra en las ilustraciones de las páginas 7 y 8.

La parrilla para exteriores está equipada para su uso con gas natural o propano líquido (LP). Su diseño está certificado por la Asociación Canadiense de Normas (CSA, por sus siglas en inglés) para gas natural o LP. La placa de datos del producto contiene información sobre el tipo de gas que se debe utilizar. Para ubicar la placa de datos, consulte la siguiente ilustración. Si esta información no coincide con el tipo de gas disponible, consulte con el proveedor de gas local.

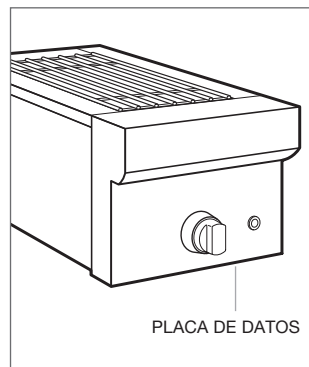
REQUISITOS DEL GAS

GAS NATURAL	COLUMNA DE AGUA
Presión de suministro	5" (12.5 mb)
Presión mínima de la línea	7" (17.5 mb)
Presión máxima del regulador	14" (34.9 mb), 0.5 psi (3.5 kPa)
GAS LP	COLUMNA DE AGUA
Presión de suministro	10" (25 mb)
Presión mínima de la línea	11" (27.4 mb)
Presión máxima del regulador	14" (34.9 mb), 0.5 psi (3.5 kPa)



PLACA DE DATOS

Parrilla de gas para exteriores



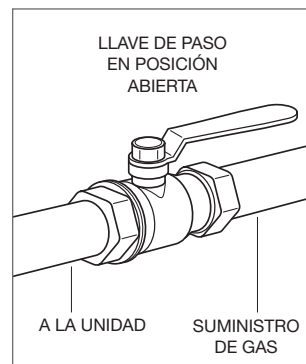
PLACA DE DATOS

Módulo para exteriores

La parrilla para exteriores debe conectarse a un suministro de gas regulado. La línea del suministro debe estar equipada con una llave de paso externa aprobada para gas ubicada cerca de la parrilla en un lugar accesible. No bloquee el acceso a la llave de paso. Consulte la siguiente ilustración.

Se debe proporcionar una línea de suministro de gas de 3/4" (19) de línea de diámetro interno para la parrilla o el módulo para exteriores. Si el código local lo permite, se recomienda utilizar un conector metálico flexible certificado, de 3' (.9 m) de largo, 1/2" (13) o 3/4" (19) de diámetro interior para conectar la entrada NPT hembra de 1/2" de la unidad a la línea de suministro de gas. Debe utilizar compuestos para juntas de tubería aptos para uso con gas natural o gas LP.

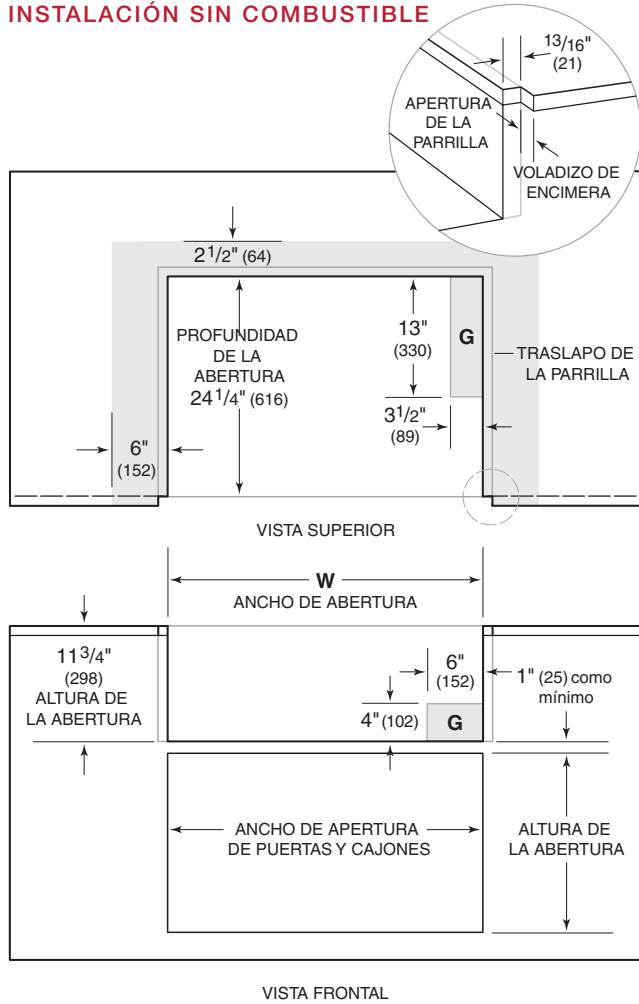
Debe desconectar el electrodoméstico y la llave de paso del sistema de tuberías del suministro de gas durante cualquier prueba de presión del sistema a presiones de prueba mayores a 0.5 psi (3.5 kPa). Debe aislar el electrodoméstico del sistema de tuberías del suministro de gas cerrando manualmente la llave de paso durante cualquier prueba de presión del sistema a presiones de prueba iguales o inferiores a .5 psi (3.5 kPa).



Llave de paso del suministro de gas

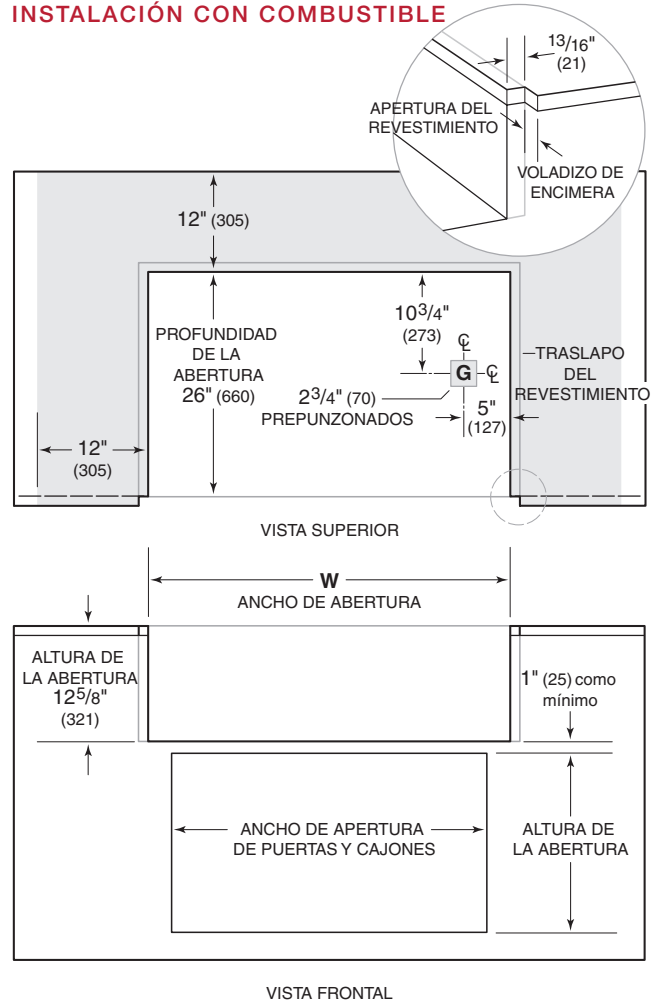
Parrillas para exteriores

INSTALACIÓN SIN COMBUSTIBLE



NOTA: La zona sombreada sobre el mostrador indica la distancia mínima a las superficies combustibles, los materiales combustibles no se pueden colocar en esta área.

INSTALACIÓN CON COMBUSTIBLE



NOTA: La zona sombreada sobre el mostrador indica la distancia mínima a las superficies combustibles, los materiales combustibles no se pueden colocar en esta área.

RECINTO NO COMBUSTIBLE

	ANCHO (W)
OG30	28 1/2" (724)
OG36	34 1/2" (876)
OG42	40 1/2" (1029)
OG54	52 1/2" (1334)

RECINTO COMBUSTIBLE

	ANCHO (W)
OG30	33 1/2" (851)
OG36	39 1/2" (1003)
OG42	45 1/2" (1156)
OG54	57 1/2" (1461)

Parrillas para exteriores

PUERTAS Y CAJONES ACCESORIOS

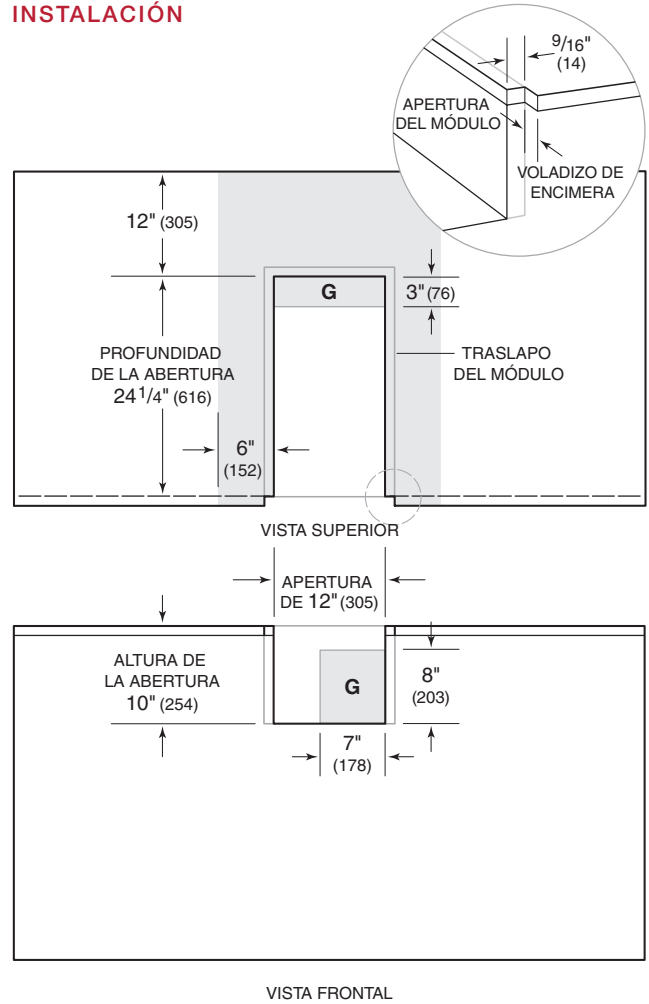
APERTURA

PUERTAS	ANCHO	ALTURA
18" sencillo	16 ¹ / ₄ " (413)	19" (483)
30" doble	28 ¹ / ₄ " (718)	19" (483)
36" doble	34 ¹ / ₄ " (870)	19" (483)
42" doble	40 ¹ / ₄ " (1022)	19" (483)
54" doble	52 ¹ / ₄ " (1327)	19" (483)

CAJONES	ANCHO	ALTURA
Cajón sencillo	27 ¹ / ₄ " (692)	9 ³ / ₄ " (248)
Unidad de 2 o 3 cajones	12 ¹ / ₈ " (308)	19" (483)
Unidad de cajón y puerta	29 ¹ / ₄ " (743)	19" (483)

Módulo de quemador

INSTALACIÓN

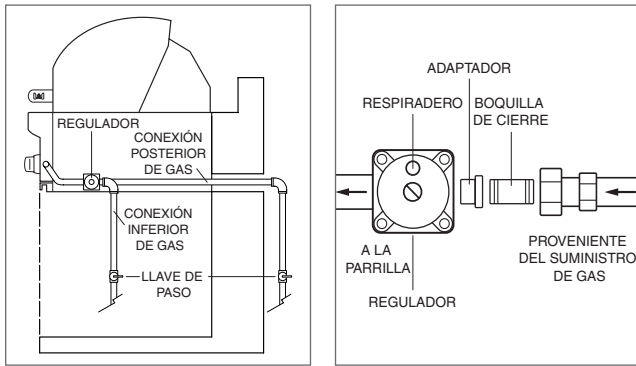


NOTA: La zona sombreada sobre el mostrador indica la distancia mínima a las superficies combustibles, los materiales combustibles no se pueden colocar en esta área. No se necesita revestimiento aislante.

Línea de suministro de gas

CONEXIÓN DE GAS NATURAL

Instale el regulador de presión de gas natural que viene con el producto para exteriores; la flecha del regulador debe apuntar hacia la unidad. Consulte en las siguientes ilustraciones una instalación típica de gas natural.



Conexión de gas natural

Regulador de gas natural

CONEXIÓN DE GAS PROPANO LÍQUIDO

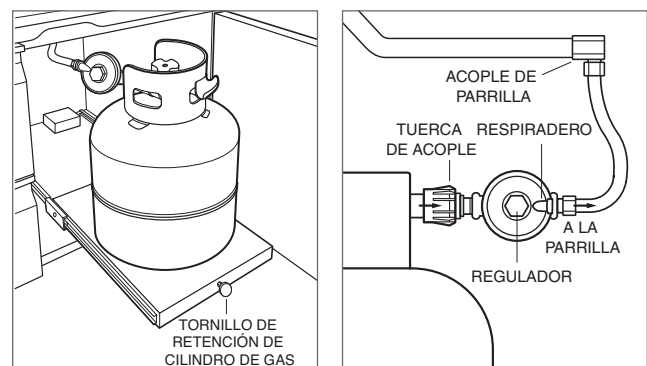
En el caso de las conexiones de gas propano líquido (LP) para toda la casa, no se proporciona un regulador de presión para gas LP. Sin embargo, lo puede adquirir con un distribuidor autorizado de Wolf.

En las conexiones con cilindro de gas, utilice solamente el regulador de presión y la manguera de gas LP que viene con el producto para exteriores. Use solamente cilindros de 20 lb con un dispositivo de protección de sobrellenado (OPD) aprobado y una llave de paso instalada en la salida de la válvula del cilindro.

- 1 Conecte el $\frac{3}{8}$ " extremo de bronce de la manguera al acople de la unidad. No aplique sellante para tubería en la conexión de bronce.
- 2 Instale el cilindro de gas, extraiga la repisa y coloque el cilindro sobre ella. Consulte la siguiente ilustración.
- 3 Cerciórese de que la válvula de gas de la parte superior del cilindro esté cerrada.
- 4 Conecte el regulador de gas LP en el cilindro y apriételo con la mano. Abra la válvula del cilindro. Revise que no haya fugas de gas. Consulte la siguiente ilustración.
- 5 Apriete el tornillo de retención del cilindro de gas para asegurar el cilindro a la repisa.

⚠ ADVERTENCIA

Realice una prueba de fugas de gas cada vez que cambie el cilindro de gas. No coloque a la vez más de un cilindro de gas en un recinto.



Repisa del cilindro

Conexión del cilindro de gas propano líquido

Línea de suministro de gas

REQUISITO DE SEGURIDAD DE GAS PROPANO LÍQUIDO

Debe desconectar el electrodoméstico de gas y la llave de paso individual del sistema de tuberías del suministro de gas durante cualquier prueba de presión del sistema a presiones de prueba mayores a 5 psi (3.5 kPa).

Debe aislar el electrodoméstico de gas del sistema de tuberías del suministro de gas cerrando manualmente la llave de paso durante las pruebas de presión del sistema de tuberías de suministro de gas a presiones de prueba iguales o inferiores a 0.5 psi (3.5 kPa).

PRUEBA DE FUGA DE GAS

Realice una prueba de fuga de gas una vez al año, como mínimo, cada vez que conecte el cilindro de gas al regulador y cada vez que la línea de gas se desconecte o que la reemplace. Esta prueba se aplica tanto al gas natural como al gas propano líquido.

- 1 Prepare una solución mitad de jabón líquido, mitad de agua en una botella con atomizador para probar las fugas.
- 2 Revise que todas las perillas de control estén apagadas (posición OFF).
- 3 Gire una vuelta completa a la izquierda la perilla de la válvula del cilindro para abrirla.
- 4 Rocíe solución de prueba de fugas en uniones de la tubería, acoples y la manguera. La presencia de burbujas en la solución es indicador de una fuga de gas.
- 5 Apriete todas las juntas sueltas o sustituya cualquier parte defectuosa con un repuesto de Wolf para detener la fuga. No intente reparar la válvula del cilindro. Si se daña, debe reemplazar el cilindro.
- 6 Si la fuga continúa, cierre el suministro de gas en la válvula del cilindro y retire el cilindro de gas. Llame a un centro de servicio autorizado de Wolf. No utilice el producto para exteriores hasta que haya arreglado la fuga.
- 7 Empuje y gire la perilla de control hasta la posición ON (Encendido) para liberar la presión y luego regrésela a la posición OFF (Apagado).

⚠ ADVERTENCIA

Para evitar peligros de incendio o de explosión, no fume ni tenga fuentes de combustión en el área cuando realice una prueba de fuga de gas. Realice la prueba de fuga de gas en exteriores en un área con buena ventilación. Por ningún motivo, revise las fugas de gas con una llama expuesta.

Instalación

PREPARACIÓN

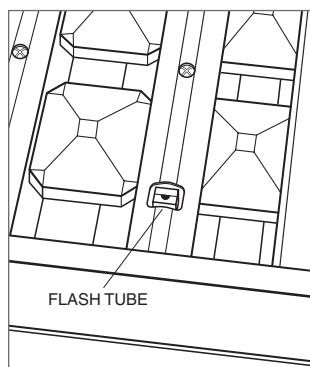
Retire y recicle los materiales de embalaje. Retire las etiquetas y la película plástica protectora de la parrilla.

Coloque las bandejas de briquetas en la parrilla encima de los quemadores con los tubos de destellos ubicados en el frente. Consulte la siguiente ilustración. Coloque las rejillas de los quemadores directamente encima de las bandejas de briquetas de tal forma que las aperturas cuadradas de las rejillas queden al frente.

TRANSFORMADOR DE ENERGÍA

En las instalaciones empotradas, asegure la caja del transformador en un lugar seco, alejado del fogón y de áreas de calor excesivo, pero a una distancia no mayor a 2' (0.6 m) de la apertura posterior derecha. No instale la caja del transformador dentro del revestimiento aislante.

Para instalar el carro, instale la caja del transformador con los dos tornillos que se encuentran en la esquina inferior derecha y posterior del carro de la parrilla, detrás de la repisa extraíble. Utilice el mismo transformador en el quemador lateral si está instalado.



Posición del tubo de destello

INSTALACIÓN DEL CARRO

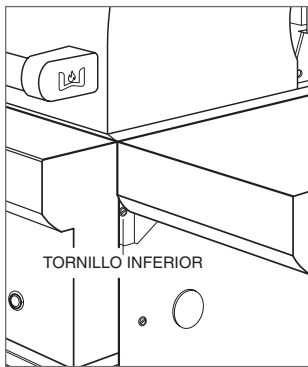
- 1 La esquina inferior derecha y posterior del carro trae dos tornillos de soporte para instalar el transformador de energía. Instale la caja del transformador.
- 2 Retire los tornillos de soporte frontales del carro. Coloque la parrilla en el carro dejando espacio suficiente en la parte posterior para la conexión al transformador.
- 3 Conecte el haz de cables de la parte posterior derecha de la parrilla con el transformador y luego deslice la parrilla hacia atrás hasta que quede acoplada en el carro.
- 4 Asegure la parrilla al carro con los cuatro tornillos incluidos. Alinee los orificios de las esquinas superiores traseras de la parrilla con los orificios del carro. Asegure con dos tornillos. Retire la bandeja de recolección. Instale dos tornillos a través de los orificios de soporte laterales que están debajo del panel frontal de la parrilla y en el carro.

Instalación del quemador lateral

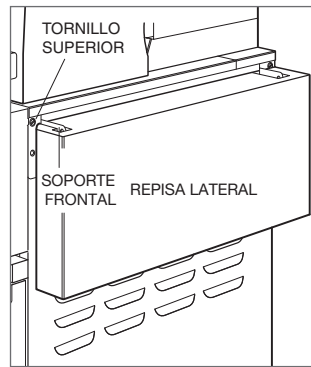
El quemador lateral de Wolf se puede instalar en el lado derecho de cualquier carro de las parrillas de Wolf.

PREPARACIÓN DEL CARRO DE LA PARRILLA

- 1 Si están instalada, se debe retirar la repisa lateral derecha. Para ello, levante la repisa de tal forma que el tornillo frontal inferior quede expuesto, y luego retírelo. Consulte la siguiente ilustración.
- 2 Pliegue la repisa lateral hacia abajo y retire el tornillo frontal superior, la repisa lateral y el soporte frontal. Consulte la siguiente ilustración.

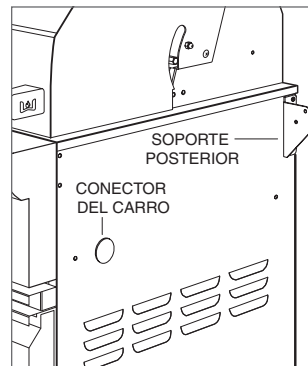


Tornillo inferior de la repisa lateral

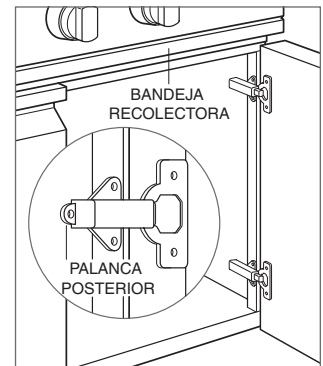


Tornillo superior de la repisa lateral

- 3 Retire los tornillos y el soporte posterior y luego el conector del carro del orificio de acceso empujándolo hacia afuera desde adentro del carro. Consulte la siguiente ilustración.
- 4 Para facilitar el acceso, se pueden retirar el panel posterior superior y la puerta lateral derecha del carro. Para extraer el panel posterior, quite los cuatro tornillos.
- 5 Para retirar la puerta lateral derecha, baje la palanca posterior de cada bisagra y luego retire la puerta. Consulte la siguiente ilustración.
- 6 Para facilitar el acceso, se puede retirar la bandeja de recolección de la parrilla. Para ello, deslícela hacia delante y levántela.
- 7 Inserte el casquillo plástico a través del orificio de acceso desde la parte interior del carro de la parrilla, donde se retiró el conector del carro.



Retire el soporte posterior y el conector

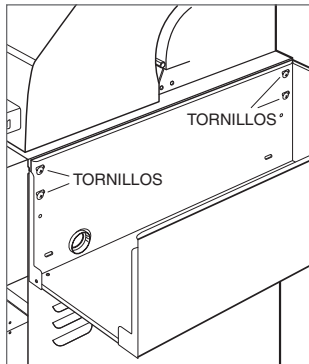


Retire la puerta del carro

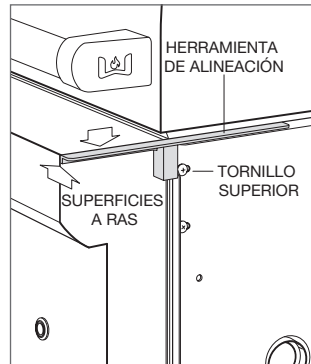
Instalación del quemador lateral

INSTALACIÓN DE LA CUBIERTA DEL QUEMADOR LATERAL

- 1 El quemador lateral se coloca dentro de la cubierta para transportarlo. Levante el quemador lateral de la cubierta para retirarlo.
- 2 Cuelgue la cubierta de los orificios superiores del carro, enroscando con la mano cuatro tornillos de rosca métrica de 10-32 que vienen insertados en las ranuras superiores de la cubierta. No apriete por completo los tornillos hasta que la cubierta quede correctamente alineada. Consulte la siguiente ilustración.
- 3 Coloque la herramienta de alineación que viene con el reborde que está en el espacio entre la parrilla y la cubierta, como se muestra en la siguiente ilustración.
- 4 Para alinear el frente de la cubierta, empuje la herramienta de alineación hacia atrás hasta que el bloque central de la herramienta esté a ras con la brida vertical frontal de la cubierta.
- 5 Alinee la parte frontal de la cubierta (arriba y abajo) con la herramienta de alineación hasta que la parte superior de la herramienta esté a ras con la superficie curva de la parrilla. Alinee la cubierta (al frente y atrás) con la herramienta hasta que el frente de la herramienta esté a ras con el frente de la parte curva. Apriete el tornillo superior. Consulte la siguiente ilustración.

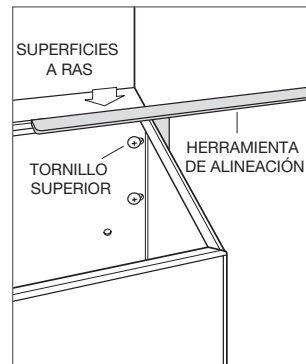


Cuelgue la cubierta

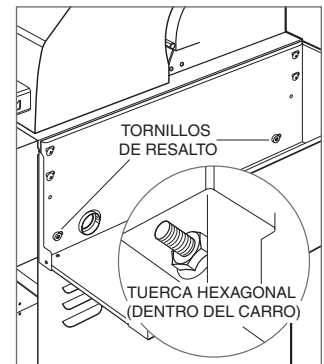


Alinee la parte frontal de la cubierta

- 6 Para alinear la parte posterior de la cubierta, coloque la herramienta de alineación en la parte posterior de la cubierta. Alinee la parte posterior de la cubierta (arriba y abajo) con la herramienta de alineación hasta que la parte superior de la herramienta esté a ras con la superficie de la parrilla. Apriete el tornillo superior. Consulte la siguiente ilustración. Con la herramienta de alineación, verifique que el frente de la cubierta no se mueva y vuelva a alinear si es necesario.
- 7 Retire la herramienta de alineación y apriete los otros dos tornillos en las ranuras justo debajo de los tornillos superiores.
- 8 Instale dos tornillos de resalto de cabeza hexagonal de $5/16 \times 3/8$ incluidos en los orificios inferiores de la cubierta y a través del carro. Coloque dos tuercas hexagonales de $1/4-20$ desde el interior del carro y apriete. Consulte la siguiente ilustración.



Alinee la parte posterior de la cubierta



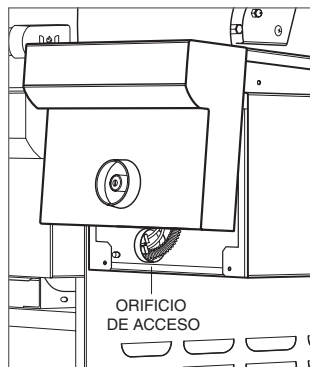
Asegure la cubierta

Instalación del quemador lateral

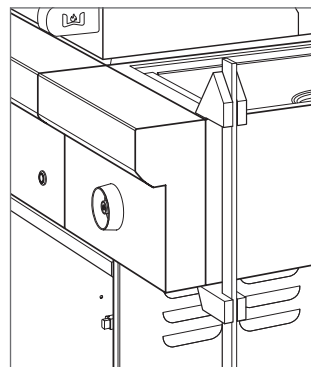
En las instalaciones de gas natural, la conexión de la línea de gas debe realizarse antes de instalar el quemador lateral.

INSTALACIÓN DEL QUEMADOR LATERAL

- 1 Coloque el quemador lateral en la cubierta, como se muestra en la siguiente ilustración. Deslice la línea flexible de gas y el haz de cables en el orificio de acceso del carro. Revise la alineación de la unidad antes de fijar el quemador lateral en la cubierta. Si el quemador lateral no está alineado correctamente, retírelo, suelte los tornillos y revise la alineación de la cubierta con la herramienta. Vuelva a ubicar el quemador lateral hasta que quede alineado correctamente.
- 2 Coloque una barra de mordaza con protección en extremos detrás de la parte curva en el fogón y debajo de la cubierta. No incluya apriete ninguna parte curva con la barra de mordaza. Consulte la siguiente ilustración.

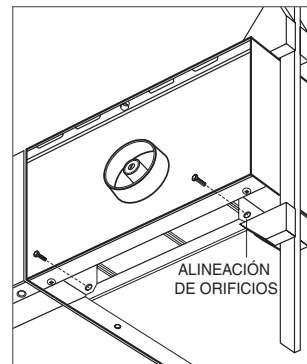


Ubique el quemador lateral

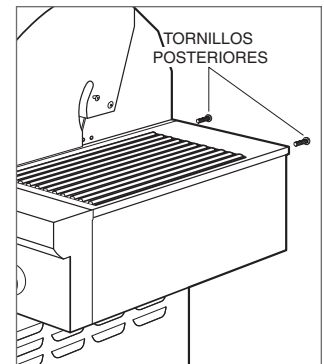


Ubique la barra de mordaza

- 3 Comprima la barra de mordaza hasta que el orificio de la parte curva se alinee con el orificio roscado de la cubierta. Es muy importante alinear y ubicar correctamente este tornillo para alinear el quemador lateral. Consulte la siguiente ilustración.
- 4 Una el quemador lateral a la cubierta colocando el tornillo de cabeza hexagonal de 8-32 incluido, en el lado derecho de la parte inferior frontal de la parte curva y en la cubierta. Luego, coloque el tornillo de cabeza hexagonal del lado izquierdo. Apriete los tornillos y retire la barra de mordaza.
- 5 En la parte posterior de la unidad, empuje el quemador lateral hacia la parrilla para establecer el espacio adecuado en la parte posterior. Suelte los tornillos posteriores del carro y desplace la parrilla si es necesario hasta dejar el espacio adecuado. Instale los dos tornillos incluidos de cabeza plana de 8-18 a través de la cubierta y en la parte posterior del quemador lateral, como se muestra en la siguiente ilustración. Revise que la alineación esté correcta.



Alineación de los orificios

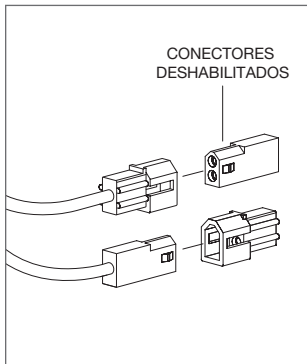


Asegure el quemador lateral

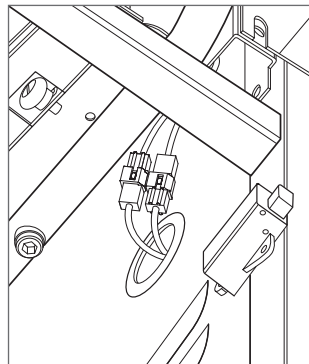
Instalación del quemador lateral

CONEXIÓN ELÉCTRICA

- 1 Dependiendo del número de serie de la parrilla, puede haber uno o dos conectores cerca del frente de la parrilla justo arriba del múltiple. Consulte la sección sobre la sección de haces de cables auxiliares para conocer los números de serie. Ubique los conectores encima del colector cerca de la parte frontal de la parrilla.
- 2 Retire las carcasas de los conectores deshabilitados del haz de cables que vienen de la parrilla, como se muestra en la siguiente ilustración.
- 3 Fije las carcasas de los conectores correspondientes desde el quemador lateral de la parrilla. Consulte la siguiente ilustración. Si hay un solo conector en la parrilla, consulte la sección de haces de cables auxiliares para ensamblar la carcasa del segundo conector.



Conectores

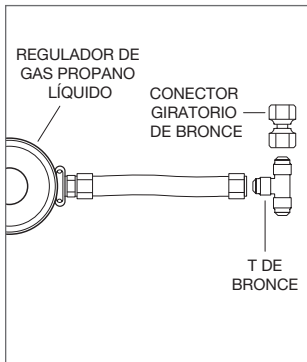


Carcasa del conector

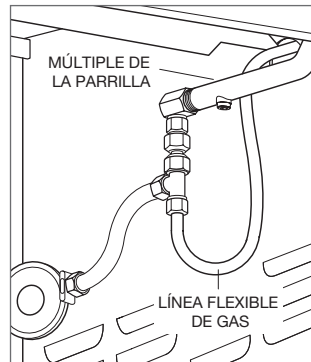
Instalación del quemador lateral

CONEXIÓN DE GAS PROPANO LÍQUIDO

- 1 Conecte el regulador de gas LP de 2 fases en la T de bronce en el lugar que se muestra. Conecte el conector giratorio de bronce a uno de los extremos de la T de bronce. Consulte la siguiente ilustración.
- 2 Conecte el montaje del regulador en la línea flexible de gas que viene del carro de la parrilla desde el quemador lateral, como se muestra en la ilustración a continuación.
- 3 Conecte el montaje del regulador al múltiple de la parrilla en la conexión giratoria de bronce, como se muestra en la ilustración a continuación.
- 4 Vuelva a instalar el panel posterior y la puerta del carro de la parrilla. Vuelva a colocar la bandeja de recolección de la parrilla. Coloque la tapa del quemador en el cabezal, la rejilla en la bandeja del quemador y fije la perilla al bisel con el revestimiento de nailon de bisel.



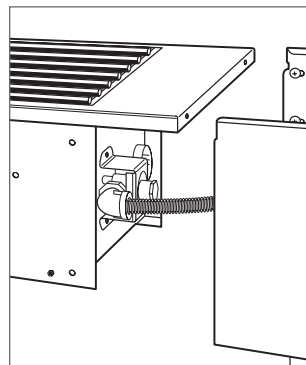
Montaje del regulador de gas LP



Conexión de gas LP

CONEXIÓN DE GAS NATURAL

- 1 Divida la línea de gas natural de alta presión en dos líneas. Fije una al regulador de gas natural de la parrilla y la otra al quemador lateral a través de la línea flexible y del adaptador de 1/2" NPT. Introduzca la línea de gas flexible a través del orificio de acceso del carro.
- 2 Coloque la línea flexible de gas a través del orificio de acceso del carro y fíjela al regulador del quemador lateral en el codo. El codo se puede rotar hasta que apunte hacia abajo para instalar adaptadores más grandes. No rote el codo hacia arriba. Consulte la siguiente ilustración.



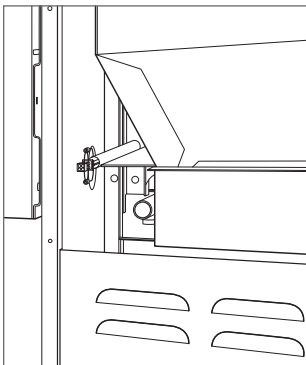
Conexión de gas natural

Instalación del quemador lateral

HAZ DE CABLES AUXILIAR (SI CORRESPONDE)

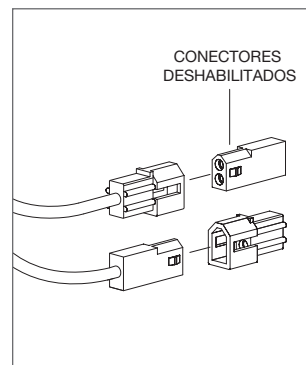
Si la parrilla para exteriores de Wolf tiene un número de serie antes de los números mencionados (OG30: 11363911), se incluirá un haz de cables auxiliar con el quemador lateral. En caso contrario, póngase en contacto con atención al cliente de Wolf al 800-222-7820.

- 1 El panel superior en la parte de atrás del carro de la parrilla se debe retirar para instalar el haz de cables auxiliar. Para extraer el panel posterior, quite los cuatro tornillos.
- 2 Con los amarres de cables incluidos, fije los haces de cables a la aleta de fogón o al haz de cables existente. El grupo de conectores de 4 clavijas debe colocarse mirando a la parte posterior de la parrilla, y el conector de 2 clavijas, mirando hacia el frente. El haz de cables se debe amarrar con firmeza y no debe estar en contacto con el fogón de la parrilla. Consulte la siguiente ilustración.

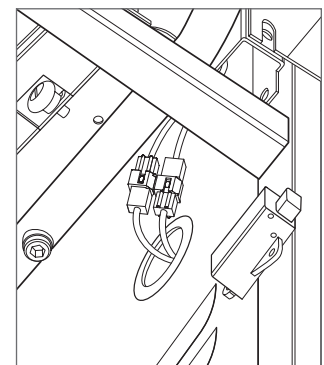


Haz de cables auxiliar

- 3 Si se conecta, desconecte el conector de 4 clavijas del transformador en la parte posterior de la parrilla. Fije un de los conectores de 4 clavijas al conector de 4 clavijas unido a la parrilla. Fije otro conector de 4 clavijas al conector de 4 clavijas que viene del transformador.
- 4 Retire la carcasa del conector deshabilitado del juego de cables que sale de la parrilla. Introduzca cada carcasa de conector del haz de cables del quemador con la carcasa correspondiente del haz de cables de la parrilla y del haz de cables auxiliar. Se deben realizar dos conexiones. Consulte las siguientes ilustraciones.
- 5 Vuelva a instalar el panel superior posterior del carro.



Conectores



Carcasa del conector

Resolución de problemas

AVISO IMPORTANTE: Si la parrilla de gas para exteriores no funciona correctamente, siga estos pasos para resolver los problemas:

- Compruebe que la parrilla tenga corriente eléctrica.
- Verifique que el suministro de gas sea adecuado.
- Compruebe que la llave de paso del suministro de gas se encuentra en posición abierta.
- Si la parrilla de gas para exteriores no funciona correctamente, póngase en contacto con el centro de servicio autorizado de Wolf. No intente reparar la parrilla. Wolf no es responsable del servicio necesario para corregir una instalación defectuosa.

Sub-Zero, Sub-Zero & Design, Sub-Zero & Snowflake Design, Dual Refrigeration, The Living Kitchen, Great American Kitchens The Fine Art of Kitchen Design, Wolf, Wolf & Design, Wolf Gourmet, W & Design, red colored knobs, Cove, and Cove & Design son marcas registradas y marcas de servicio de Sub-Zero Group, Inc. y sus asociados. Todas las demás marcas registradas son propiedad de sus dueños respectivos en los Estados Unidos y otros países.

Table des matières

- 3 Gril au gaz
- 4 Précautions de sécurité
- 5 Spécifications
- 9 Installation
- 18 Dépannage

Les caractéristiques et les spécifications peuvent être modifiées en tout temps sans préavis. Visitez wolfappliance.com/specs pour obtenir les renseignements les plus récents.

Remarque importante

Pour s'assurer que ce produit est installé et utilisé en toute sécurité et aussi efficacement que possible, prenez note des types de renseignements mis en évidence tout au long de ce guide :

REMARQUE IMPORTANTE met en évidence des renseignements qui sont particulièrement importants.

MISE EN GARDE indique une situation où une blessure mineure ou des dommages au produit peuvent se produire si les directives ne sont pas respectées.

AVERTISSEMENT décrit un danger qui peut causer une blessure grave ou la mort si les précautions ne sont pas respectées.

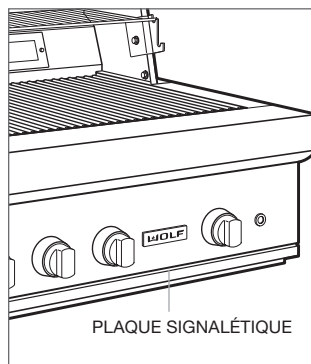
REMARQUE IMPORTANTE : tout au long de ce guide, les dimensions entre parenthèses sont en millimètres à moins d'indication contraire.

REMARQUE IMPORTANTE : conservez ces directives pour l'inspecteur en électricité local.

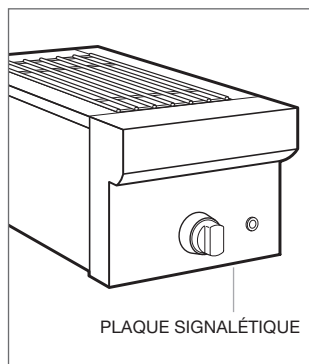
Renseignements sur le produit

Des renseignements importants sur le produit, y compris les numéros de modèle et de série, se trouvent sur la plaque signalétique du produit. Pour les grils pour l'extérieur la plaque signalétique est située au-dessus de la cuvette d'égouttement, derrière le logo. La cuvette d'égouttement doit être retirée pour voir la plaque signalétique. Pour les modules pour l'extérieur, la plaque signalétique est située sur la partie inférieure du panneau de commande, du côté droit. Reportez-vous à l'illustration ci-dessous.

Si vous avez besoin de service, communiquez avec le service Wolf certifié par l'usine avec les numéros de modèle et de série. Pour obtenir le nom du centre de service Wolf certifié par l'usine le plus près de chez vous ou si vous avez des questions concernant l'installation, consultez la section Contact et assistance de notre site Web, www.wolfappliance.com ou appelez le service à la clientèle de Wolf au 800-222-7820.



Gril au gaz pour l'extérieur



Module pour l'extérieur

DIRECTIVES IMPORTANTES

- Les grils et les modules au gaz pour l'extérieur de Wolf sont conçus pour être utilisés à l'extérieur seulement. N'installez pas et n'utilisez pas dans un endroit fermé.
- L'installation doit être effectuée par un installateur qualifié, une agence de service ou le fournisseur de gaz.
- Le service de garantie doit être effectué par un centre de service Wolf certifié par l'usine.
- Ne rangez pas et n'utilisez pas de l'essence ou d'autres vapeurs ou liquides inflammables à proximité de cet appareil ou de tout autre appareil. Une bonbonne de GPL non reliée pour l'utilisation ne doit pas être rangée à proximité de cet appareil ou de tout autre appareil.
- Au Massachusetts : tous les produits de gaz doivent être installés par un plombier ou un monteur d'installations au gaz autorisé au Massachusetts. Un robinet de gaz manuel de type à poignée en T doit être installé sur la conduite d'alimentation en gaz de cet appareil. Cela s'applique aux installations permanentes de gaz propane et de gaz naturel. Cela ne s'applique pas aux installations de propane portatives utilisant une bonbonne de 20 lb.
- Un appareil intégré pour usage avec un système d'alimentation en GPL autonome à distance doit utiliser une conduite rigide, un tube semi-rigide ou un connecteur se conformant à la norme concernant les connecteurs pour les appareils au gaz, ANSI Z21.24/CSA 6.10 ou la norme concernant les connecteurs pour les appareils au gaz pour l'extérieur et les maisons préfabriquées ANSI Z21.75/CSA 6.27, pour relier l'appareil au système d'alimentation en gaz autonome à distance. Lors de l'utilisation d'un tube semi-rigide, il n'est pas permis d'utiliser un tube en aluminium ou en alliage d'aluminium.

AVANT D'ALLUMER :

- Lisez toutes les directives avant d'allumer.
- Ouvrez le capot ou retirez le couvercle avant d'allumer.
- Si l'allumage ne se produit pas dans cinq secondes, mettez le(s) bouton(s) du brûleur à arrêt, attendez cinq minutes, puis répétez la procédure d'allumage.

QUOI FAIRE SI VOUS SENTEZ DU GAZ :

- Fermez l'alimentation en gaz vers l'appareil.
- Éteignez toute flamme nue.
- Ouvrez le capot ou retirez le couvercle.
- Si l'odeur persiste, restez loin de l'appareil et communiquez immédiatement avec votre fournisseur de gaz ou les pompiers.

Exigences d'installation

Pour les applications portatives, les chariots de grill Wolf sont conçus spécifiquement pour convenir aux modèles OG30, OG36 et OG42 et le brûleur latéral. Le modèle OG54 est conçu pour les applications encastrées seulement.

Pour les applications encastrées, les grills pour l'extérieur et le module à brûleur Wolf sont conçus pour être facilement placés dans une enceinte encastrée. Pour les grills pour l'extérieur, l'installation dans une enceinte combustible nécessite une doublure isolante. Pour le module à brûleur, une doublure isolante n'est pas requise. L'enceinte doit être construite conformément aux spécifications pour votre installation précise se trouvant sur les pages suivantes. Si le module à brûleur est installé à côté d'un grill pour l'extérieur, une distance minimale de 12 po (305) est requise entre les unités du côté du moteur de la rôtissoire et de 2 po (51) du côté opposé. Une trousse de conversion pour le côté rôtissoire est offerte par les dépositaires Wolf autorisés.

Des chariots pour grill, des doublures d'isolation et des portes en acier inoxydable sont offerts par les dépositaires Wolf autorisés. Pour obtenir des renseignements sur le dépositaire local, visitez la section salle d'exposition de notre site Web, wolfappliance.com.

Électricité

L'installation doit se conformer à tous les codes électriques applicables.

La prise électrique doit se trouver à la portée du cordon d'alimentation. Un circuit séparé servant uniquement cet appareil est requis.

REMARQUE IMPORTANTE : un disjoncteur de fuite de terre (GFCI) est requis pour réduire le risque de choc électrique.

EXIGENCES ÉLECTRIQUES

Alimentation électrique	mise à la terre, 120 volts CA, 60 Hz
Service	circuit dédié de 15 ampères
Prise	mise à la terre à trois broches, GFCI
Cordon d'alimentation	6 pi (1,8 m), 9 pi (2,7 m) rôtissoire

Alimentation en gaz

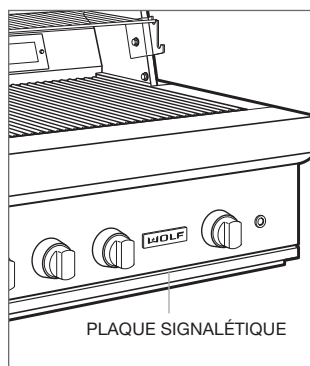
L'installation doit se conformer aux codes locaux ou, en l'absence de codes locaux, avec le code national relatif au gaz combustible.

Repérez l'alimentation en gaz dans la zone ombragée indiquée dans l'illustration aux pages 7 et 8.

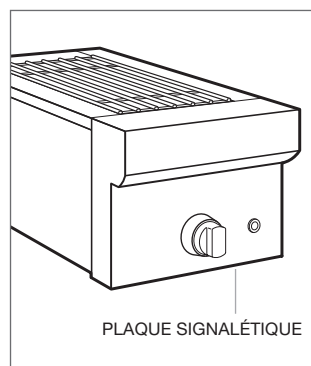
Le gril pour l'extérieur est configuré pour être utilisé avec du gaz naturel ou de pétrole liquéfié (PL). Sa conception est certifiée par l'Association canadienne de normalisation (ACNOR) pour le gaz naturel et le gaz de pétrole liquéfié. La plaque signalétique du produit possède des renseignements sur le type de gaz qui doit être utilisé. Pour connaître l'emplacement de la plaque signalétique, reportez-vous à l'illustration ci-dessous. Si le gaz disponible ne correspond pas à cette information, veuillez consulter le fournisseur de gaz local.

EXIGENCES EN GAZ

GAZ NATUREL		CE
Pression d'alimentation	5 po (12,5 mb)	
Pression min de la conduite	7 po (17,5 mb)	
Pression max du régulateur	14 po (34,9 mb), 0,5 lb/po ² (3,5 kPa)	
GAZ PL		CE
Pression d'alimentation	10 po (25 mb)	
Pression min de la conduite	11 po (27,4 mb)	
Pression max du régulateur	14 po (34,9 mb), 0,5 lb/po ² (3,5 kPa)	



Gril au gaz pour l'extérieur

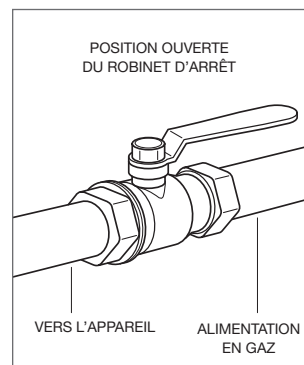


Module pour l'extérieur

Le gril pour l'extérieur doit être relié à une alimentation en gaz régulée. La conduite d'alimentation doit être munie d'un robinet d'arrêt de gaz externe approuvé situé près du dessus du gril à un endroit accessible. Ne bloquez pas l'accès au robinet d'arrêt. Reportez-vous à l'illustration ci-dessous.

Une alimentation en gaz de 3/4 po (19) de diamètre intérieur doit être fournie jusqu'au gril pour l'extérieur ou jusqu'au module. Si les codes locaux le permettent, un connecteur d'appareil en métal flexible certifié de 3 pi (0,9 m) de longueur et de 1/2 po (13) ou 3/4 po (19) de diamètre intérieur est recommandé pour relier l'entrée femelle de 1/2 po NPT de l'unité à la conduite d'alimentation en gaz. Utilisez de la pâte pour joints pouvant être utilisée avec du gaz naturel ou du pétrole liquéfié.

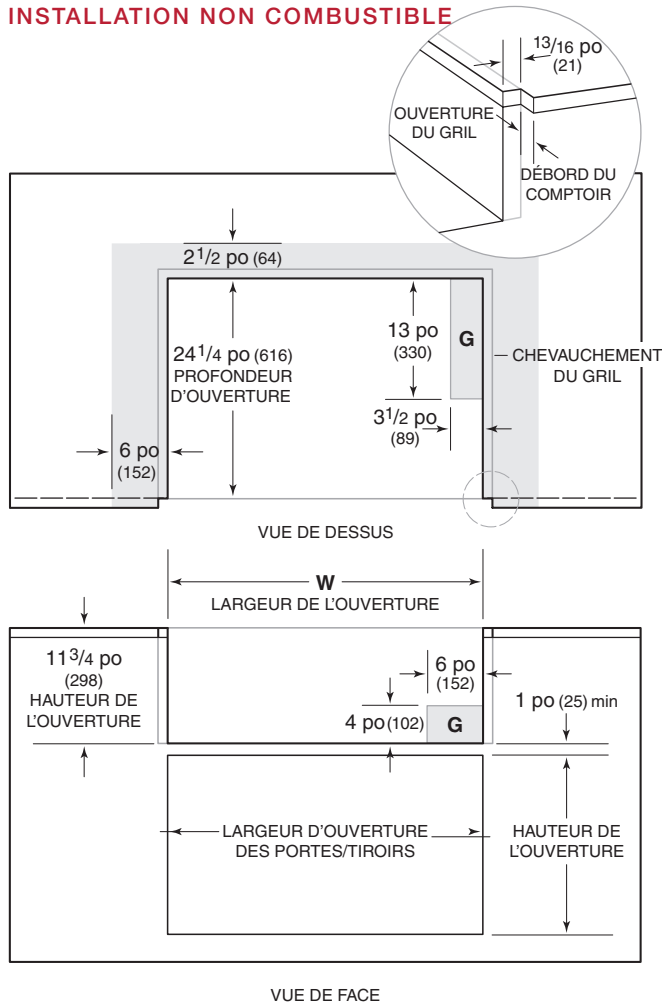
Cet appareil et son robinet d'arrêt doivent être débranchés du système de conduite d'alimentation en gaz durant tout essai de pression du système à des pressions d'essai supérieures à 0,5 lb/po² (3,5 kPa). Cet appareil doit être isolé du système de conduite d'alimentation en gaz en fermant son robinet d'arrêt manuel individuel durant tout essai de pression du système à des pressions d'essai équivalentes ou inférieures à 0,5 lb/po² (3,5 kPa).



Robinet d'arrêt du gaz

Grils pour l'extérieur

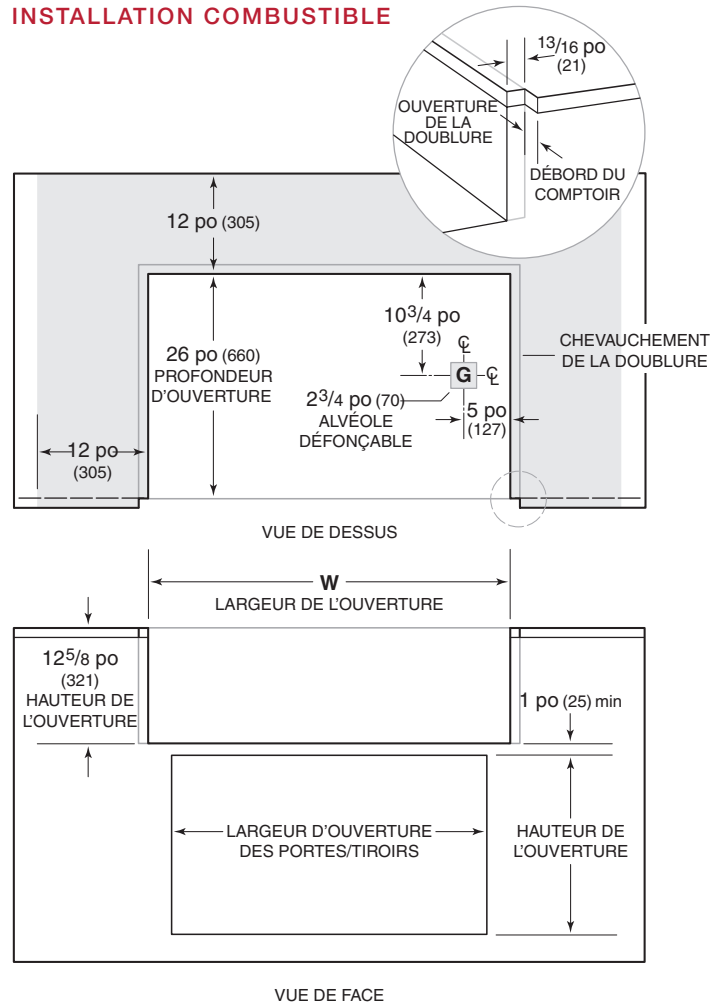
INSTALLATION NON COMBUSTIBLE



REMARQUE : la zone ombragée au-dessus du comptoir indique le dégagement minimal jusqu'aux surfaces combustibles; des matériaux combustibles ne peuvent pas se trouver dans cette zone.

ENCEINTE NON COMBUSTIBLE	LARGEUR (W)
OG30	28 1/2 po (724)
OG36	34 1/2 po (876)
OG42	40 1/2 po (1029)
OG54	52 1/2 po (1334)

INSTALLATION COMBUSTIBLE



REMARQUE : la zone ombragée au-dessus du comptoir indique le dégagement minimal jusqu'aux surfaces combustibles; des matériaux combustibles ne peuvent pas se trouver dans cette zone.

ENCEINTE COMBUSTIBLE	LARGEUR (W)
OG30	33 1/2 po (851)
OG36	39 1/2 po (1003)
OG42	45 1/2 po (1156)
OG54	57 1/2 po (1461)

SPÉCIFICATIONS

Grils pour l'extérieur

PORTES ET TIROIRS ACCESSOIRES

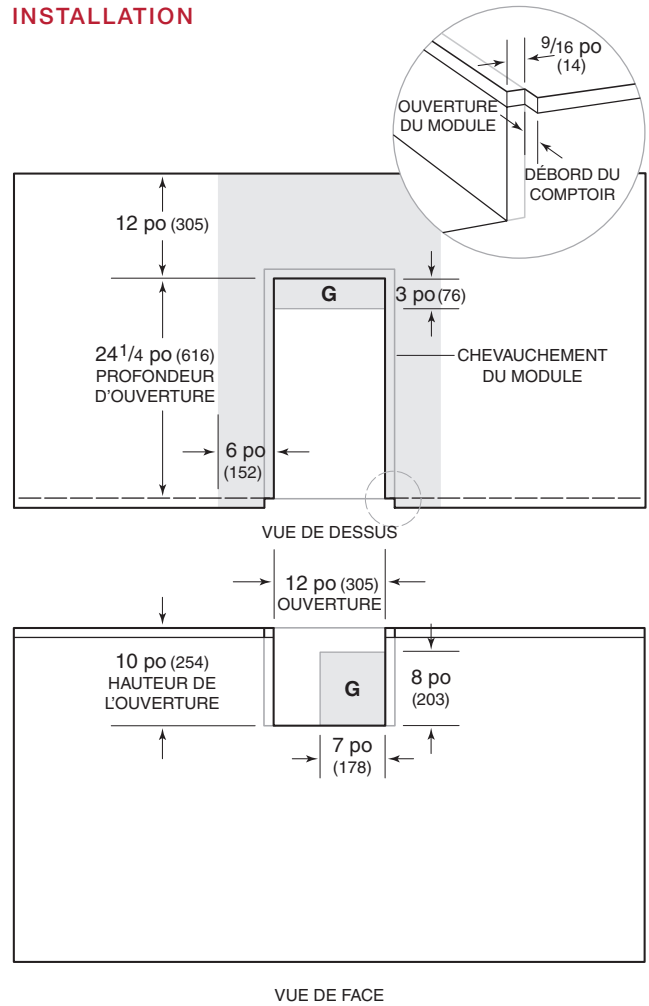
OUVERTURE

PORTES	LARGEUR	HAUTEUR
Simple de 18 po	16¼ po (413)	19 po (483)
Double de 30 po	28¼ po (718)	19 po (483)
Double de 36 po	34¼ po (870)	19 po (483)
Double de 42 po	40¼ po (1022)	19 po (483)
Double de 54 po	52¼ po (1327)	19 po (483)

TIROIRS	LARGEUR	HAUTEUR
Tiroir simple	27¼ po (692)	9¾ po (248)
Unité à 2 ou 3 tiroirs	12 ¹ / ₈ po (308)	19 po (483)
Unité tiroir/porte	29¼ po (743)	19 po (483)

Module à brûleur

INSTALLATION

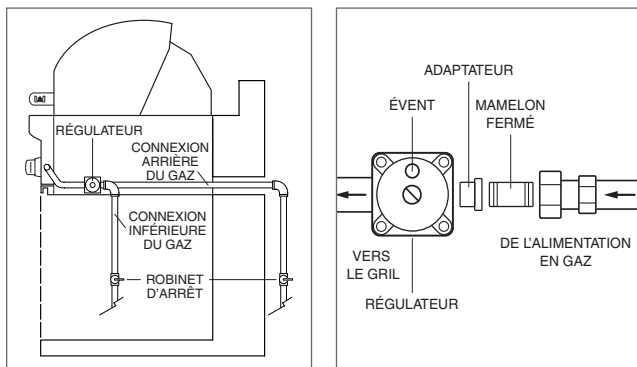


REMARQUE : la zone ombragée au-dessus du comptoir indique le dégagement minimal jusqu'aux surfaces combustibles; des matériaux combustibles ne peuvent pas se trouver dans cette zone. Une doublure isolée n'est pas requise.

Conduite d'alimentation en gaz

CONNEXION DU GAZ NATUREL

Installez le régulateur de pression du gaz naturel fourni avec le produit pour l'extérieur en gardant la flèche du régulateur orientée vers l'unité. Reportez-vous aux illustrations ci-dessous pour voir une installation typique au gaz naturel.



Connexion du gaz naturel

Régulateur du gaz naturel

CONNEXION DU GPL

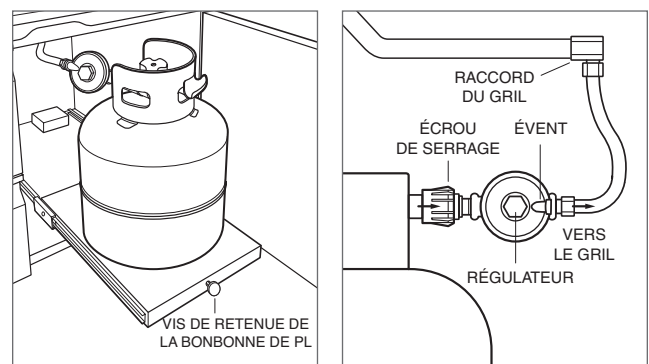
Pour une connexion au GPL pour la maison entière, le régulateur de pression du GPL n'est pas fourni. Vous pouvez vous en procurer un auprès d'un dépositaire Wolf autorisé.

Pour effectuer la connexion à la bonbonne de GPL, utilisez uniquement le régulateur de pression du GPL et le tuyau fournis avec le produit pour l'extérieur. Utilisez uniquement une bonbonne de GPL de 20 lb avec un dispositif de prévention des débordements (DPD) et un robinet d'arrêt se terminant dans le robinet d'évacuation de la bonbonne.

- 1 Reliez l'extrémité évasée de $\frac{3}{8}$ po du tuyau au raccord de l'unité. N'appliquez pas de mastic à tuyau à la connexion évasée.
- 2 Pour installer la bonbonne de GPL, tirez la tablette et placez la bonbonne dessus.
- 3 Assurez-vous que le robinet de gaz situé sur la partie supérieure de la bonbonne est fermé.
- 4 Reliez le régulateur de GPL à la bonbonne et serrez manuellement seulement. Ouvrez le robinet de la bonbonne. Assurez-vous qu'il n'y a pas de fuite de gaz. Reportez-vous à l'illustration ci-dessous.
- 5 Serrez la vis de retenue de la bonbonne de GPL pour sécuriser la bonbonne sur la tablette.

⚠ AVERTISSEMENT

Effectuez un test de fuite de gaz chaque fois que la bonbonne de GPL est remplacée. Ne placez pas plus d'une bonbonne de GPL dans une enceinte à la fois.



Tablette pour bonbonne de GPL

Connexion de la bonbonne de GPL

Conduite d'alimentation en gaz

EXIGENCE DE SÉCURITÉ POUR LE GPL

Cet appareil au gaz et son robinet d'arrêt individuel doivent être débranchés du système de conduite d'alimentation en gaz durant tout essai de pression de ce système à des pressions d'essai supérieures à 0,5 lb/po² (3,5 kPa).

Cet appareil au gaz doit être isolé du système de conduite d'alimentation en gaz en fermant son robinet d'arrêt manuel individuel durant tout essai de pression du système de conduite d'alimentation en gaz à des pressions d'essai équivalentes ou inférieures à 0,5 lb/po² (3,5 kPa).

ÉPREUVE D'ÉTANCHÉITÉ

Effectuez une épreuve d'étanchéité du gaz au moins une fois par année, chaque fois que la bonbonne de GPL est reliée au régulateur et chaque fois qu'une pièce du système de gaz est débranchée ou remplacée. Cela s'applique au gaz naturel ainsi qu'au GPL.

- 1 Préparez une solution pour l'épreuve d'étanchéité en combinant un mélange moitié-moitié de savon liquide et d'eau dans un flacon pulvérisateur.
- 2 Vérifiez que tous les boutons de commande se trouvent à la position OFF (arrêt).
- 3 Tournez le bouton du robinet de la bonbonne dans le sens antihoraire d'un tour pour l'ouvrir.
- 4 Appliquez la solution d'épreuve d'étanchéité en la pulvérisant sur les joints des tubes, les raccords et le tuyau. Des bulles qui apparaissent dans la solution indiquent la présence d'une fuite de gaz.
- 5 Serrez tout joint qui est lâche ou remplacez toute pièce défectueuse par une pièce de rechange Wolf pour arrêter la fuite. Ne tentez pas de réparer le robinet de la bonbonne vous-même. En cas de dommage, la bonbonne doit alors être remplacée.
- 6 Si la fuite persiste, coupez l'alimentation en gaz au niveau du robinet de la bonbonne et retirez la bonbonne de GPL. Communiquez avec le centre de service Wolf certifié par l'usine. N'utilisez pas le produit pour l'extérieur avant que la fuite n'ait été éliminée.
- 7 Poussez et tournez un des boutons de commande à la position ON (marche) pour libérer la pression, puis remettez le bouton de commande à OFF (arrêt).

▲ AVERTISSEMENT

Pour éviter les incendies ou les explosions, ne fumez pas et ne permettez pas des sources d'allumage dans la zone pendant que l'épreuve d'étanchéité est effectuée. Effectuez l'épreuve d'étanchéité du gaz à l'extérieur dans une zone bien aérée. N'utilisez jamais une flamme nue pour vérifier s'il y a des fuites de gaz.

Installation

PRÉPARATION

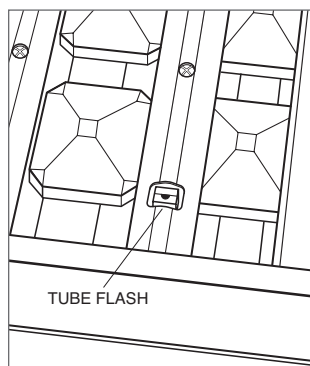
Retirez et recyclez les matériaux d'emballage. Retirez les étiquettes et la pellicule protectrice en plastique du gril.

Placez les plateaux de briquettes dans le gril au-dessus des brûleurs avec les tubes flash placés à l'avant. Reportez-vous à l'illustration ci-dessous. Placez les grilles de brûleur directement au-dessus des plateaux de briquettes et assurez-vous que les ouvertures carrées sur les grilles se trouvent à l'avant.

TRANSFORMATEUR DE PUISSANCE

Pour les installations encastrées, sécurisez la boîte du transformateur dans un endroit sec, loin de la chambre de cuisson et de toute zone de chaleur excessive, mais à une distance de 2 pi (0,6 m) ou moins de l'ouverture arrière droite. N'installez pas la boîte du transformateur à l'intérieur de la doublure isolante.

Pour l'installation dans un chariot, installez la boîte du transformateur avec les deux vis situées dans le coin inférieur droit arrière du chariot du gril, derrière la tablette coulissante. Utilisez le même transformateur pour le brûleur latéral, le cas échéant.



Emplacement du tube flash

INSTALLATION DU CHARIOT

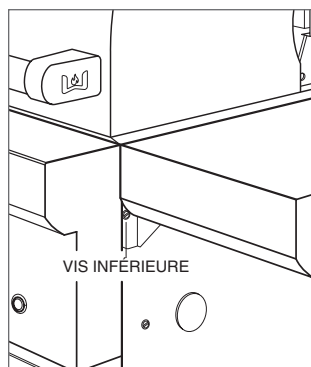
- 1 Deux vis de montage sont fournies dans le coin inférieur droit arrière du chariot pour le transformateur de puissance. Installez la boîte du transformateur.
- 2 Retirez les vis de montage avant du chariot. Placez le gril sur le chariot, en allouant suffisamment d'espace à l'arrière pour effectuer la connexion avec le transformateur.
- 3 Effectuez les connexions depuis le faisceau de câbles situé à l'arrière à la droite du gril jusqu'au transformateur, puis glissez le gril vers l'arrière jusqu'à ce qu'il soit entièrement enclenché avec le chariot.
- 4 Fixez le gril au chariot avec les quatre vis fournies. Les trous de montage dans les coins arrière supérieurs du gril s'aligneront avec les trous dans le chariot. Fixez avec deux vis. Retirez la cuvette d'égouttement. Installez deux vis dans les trous de montage latéraux sous le panneau avant du gril et dans le chariot.

Installation du brûleur latéral

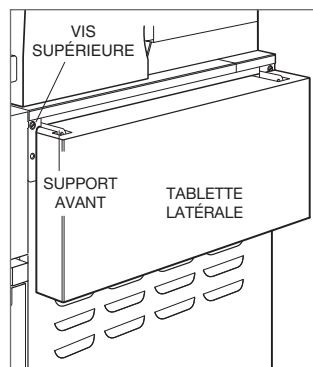
Le brûleur latéral de Wolf peut être installé du côté droit de tout chariot à grill de Wolf.

PRÉPARATION DU CHARIOT DU GRIL

- 1 Si elle est installée, la tablette droite doit être retirée. Pour ce faire, soulevez la tablette afin d'exposer la vis inférieure avant, puis retirez la vis. Reportez-vous à l'illustration ci-dessous.
- 2 Repliez la tablette latérale et retirez la vis supérieure avant, puis retirez la tablette latérale et le support avant. Reportez-vous à l'illustration ci-dessous.

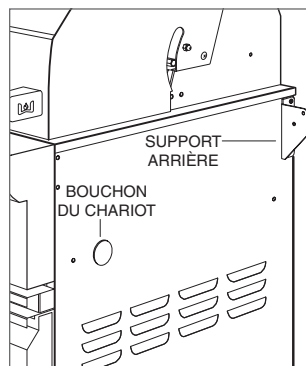


Vis inférieure de la tablette latérale

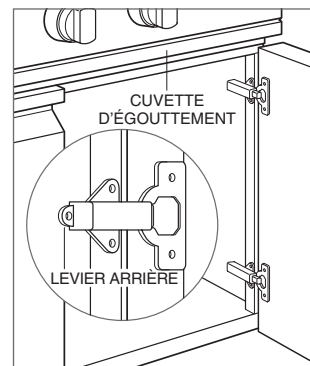


Vis supérieure de la tablette latérale

- 3 Retirez les vis arrière et le support, puis retirez le bouchon de chariot du trou d'accès en le poussant depuis l'intérieur du chariot. Reportez-vous à l'illustration ci-dessous.
- 4 Pour faciliter l'accès, le panneau supérieur arrière et la porte latérale droite du chariot peuvent être retirés. Retirez le panneau arrière en retirant les quatre vis.
- 5 Pour retirer la porte latérale droite, enfoncez le levier arrière sur chaque charnière, puis retirez la porte. Reportez-vous à l'illustration ci-dessous.
- 6 Pour faciliter l'accès, la cuvette d'égouttement du grill peut être retirée. Pour retirer, glissez-la vers l'avant et soulevez.
- 7 Insérez la douille en plastique fournie dans le trou d'accès depuis l'intérieur du chariot du grill, là où le bouchon de chariot a été enlevé précédemment.



Retirez le support arrière et le bouchon



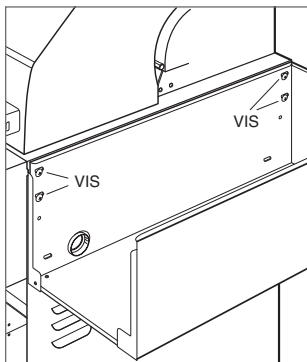
Retirez la porte du chariot

Installation du brûleur latéral

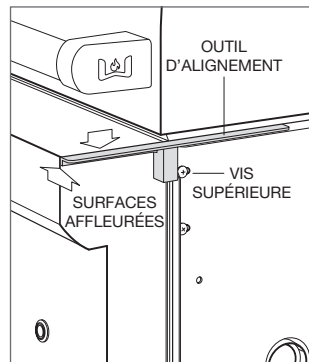
INSTALLATION DE L'ÉPAULEMENT DU BRÛLEUR LATÉRAL

- 1 Le brûleur latéral est placé à l'intérieur de l'épaulement pour l'expédition. Soulevez vers l'extérieur pour retirer le brûleur latéral de l'épaulement.
- 2 Suspendez l'épaulement en vissant manuellement quatre vis à métaux 10-32 fournies dans les fentes supérieures de l'épaulement, dans les trous supérieurs du chariot. Ne serrez pas les vis complètement avant que l'épaulement ne soit correctement aligné. Reportez-vous à l'illustration ci-dessous.
- 3 Placez l'outil d'alignement fourni en mettant la lèvre dans l'écart entre le grill et l'épaulement, comme il est indiqué dans l'illustration ci-dessous.
- 4 Pour aligner le devant de l'épaulement, poussez l'outil d'alignement vers l'arrière jusqu'à ce que le bloc central de l'outil soit à égalité avec la bride verticale avant de l'épaulement.
- 5 Alignez le devant de l'épaulement (de haut en bas) avec l'outil d'alignement jusqu'à ce que la partie supérieure de l'outil soit à égalité avec la surface supérieure du rebord arrondi du grill. Alignez l'épaulement (de l'avant vers l'arrière) avec l'outil jusqu'à ce que le devant de l'outil soit à égalité avec le devant du rebord arrondi. Serrez la vis supérieure. Reportez-vous à l'illustration ci-dessous.

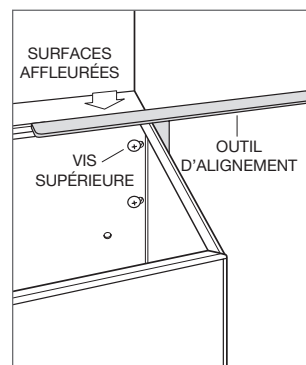
- 6 Pour aligner l'arrière de l'épaulement, placez l'outil d'alignement à l'arrière de l'épaulement. Alignez l'arrière de l'épaulement (de haut en bas) avec l'outil jusqu'à ce que l'outil soit à égalité avec la surface supérieure du grill. Serrez la vis supérieure. Reportez-vous à l'illustration ci-dessous. Au moyen de l'outil d'alignement, assurez-vous que l'avant de l'épaulement n'a pas bougé, réalignez si nécessaire.
- 7 Retirez l'outil d'alignement et serrez les deux vis restantes dans les fentes situées juste sous les vis supérieures.
- 8 Installez deux vis à six pans de $\frac{5}{16} \times \frac{3}{8}$ fournies dans les trous inférieurs de l'épaulement et dans le chariot. Placez deux écrous hexagonaux $\frac{1}{4}-20$ à partir de l'intérieur du chariot et serrez. Reportez-vous à l'illustration ci-dessous.



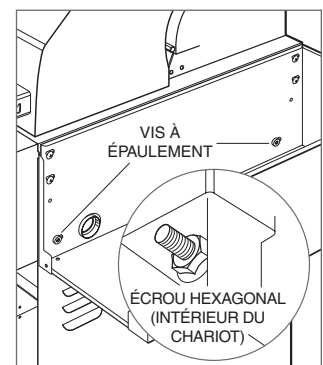
Suspendez l'épaulement



Alignez l'avant de l'épaulement



Alignez l'arrière de l'épaulement



Fixez l'épaulement

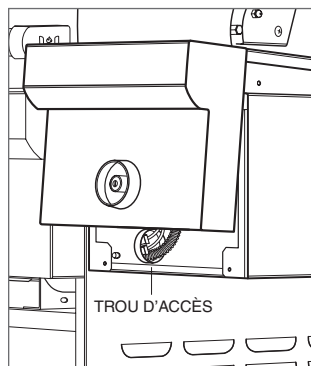
Installation du brûleur latéral

Pour les installations au gaz naturel, la connexion de la conduite de gaz doit être effectuée avant d'installer le brûleur latéral.

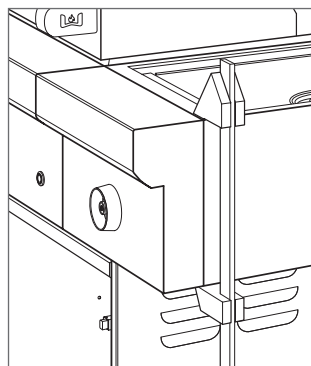
INSTALLATION DU BRÛLEUR LATÉRAL

- 1 Placez le brûleur latéral dans l'épaulement comme il est indiqué dans l'illustration ci-dessous. Acheminez la conduite de gaz flexible et le faisceau de câbles dans le trou d'accès du chariot. Vérifiez l'alignement de l'unité avant de fixer le brûleur latéral à l'épaulement. Si le brûleur latéral ne s'aligne pas correctement, retirez-le, desserrez les vis et vérifiez l'alignement de l'épaulement avec l'outil. Remplacez le brûleur latéral jusqu'à ce qu'il soit correctement aligné.
- 2 Placez une tige de serrage avec des extrémités protégées derrière le rebord arrondi de la chambre de cuisson et sous l'épaulement. Aucune partie du rebord arrondi ne doit se trouver dans la tige de serrage. Reportez-vous à l'illustration ci-dessous.

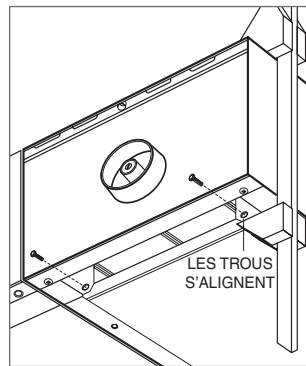
- 3 Comprimez la tige de serrage jusqu'à ce que le trou dans le rebord arrondi s'aligne avec le trou fileté dans l'épaulement. L'alignement et le placement de cette vis sont très importants pour l'alignement du brûleur latéral. Reportez-vous à l'illustration ci-dessous.
- 4 Fixez le brûleur latéral à l'épaulement en plaçant d'abord une vis d'assemblage à tête hexagonale 8-32 fournie dans le côté droit de la partie inférieure avant du rebord arrondi et dans l'épaulement. Ensuite, placez la vis d'assemblage à tête hexagonale gauche. Serrez les vis et retirez la tige de serrage.
- 5 À l'arrière de l'unité, poussez le brûleur latéral vers le grill pour établir un écart adéquat à l'arrière. Desserrez les vis arrière du chariot et décalez le grill si nécessaire pour obtenir l'écart requis. Installez deux vis à tête cylindrique bombée fournies dans l'épaulement et dans l'arrière du brûleur latéral, comme il est indiqué dans l'illustration ci-dessous. Vérifiez l'alignement.



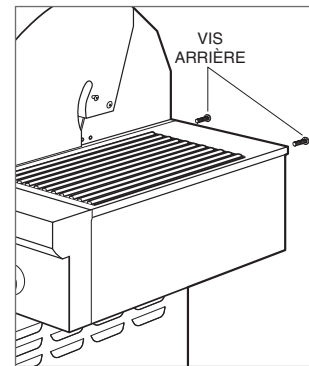
Placez le brûleur latéral



Placez la tige de serrage



Alignement du trou

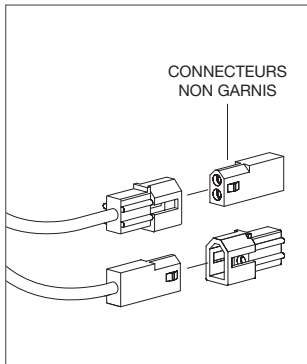


Fixez le brûleur latéral

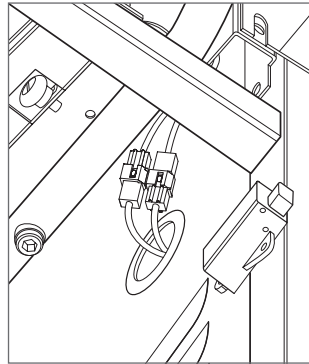
Installation du brûleur latéral

RACCORDEMENT ÉLECTRIQUE

- 1 Selon le numéro de série du gril, il peut y avoir un ou deux connecteurs près de l'avant du gril juste au-dessus du collecteur. Reportez-vous à la section sur le faisceau auxiliaire pour obtenir les numéros de série. Repérez le(s) connecteur(s) en regardant au-dessus du collecteur près de l'avant du gril.
- 2 Retirez le(s) boîtier(s) du connecteur non garni du (des) faisceau(x) de câbles provenant du gril, comme il est indiqué dans l'illustration ci-dessous.
- 3 Fixez le(s) boîtier(s) du connecteur approprié(s) du brûleur latéral au gril. Reportez-vous à l'illustration ci-dessous. Si vous ne voyez qu'un seul connecteur sur le gril, reportez-vous à la section du faisceau auxiliaire pour l'assemblage du second boîtier du connecteur.



Connecteurs

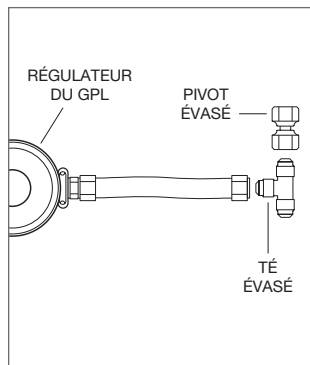


Boîtier du connecteur

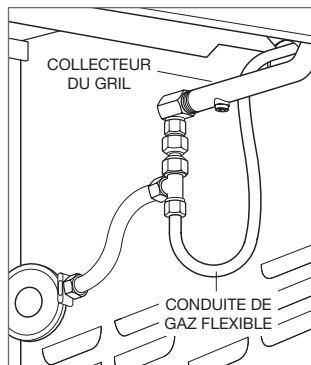
Installation du brûleur latéral

CONNEXION DU GPL

- 1 Reliez le régulateur de GPL à deux étages au té évasé à l'endroit indiqué. Reliez le connecteur pivotant évasé à une extrémité du té évasé. Reportez-vous à l'illustration ci-dessous.
- 2 Reliez l'assemblage du régulateur à la conduite de gaz flexible se dirigeant dans le chariot du grill en provenance du brûleur latéral, comme il est indiqué dans l'illustration ci-dessous.
- 3 Reliez l'assemblage du régulateur au collecteur du grill au niveau du connecteur pivotant évasé, comme il est indiqué dans l'illustration ci-dessous.
- 4 Réinstallez le panneau arrière et la porte du chariot du grill. Remplacez la cuvette d'égouttement du grill. Placez la capuche du brûleur sur la tête du brûleur, placez la grille sur la cuvette du brûleur et fixez le bouton au quadrant avec la doublure en nylon du quadrant.



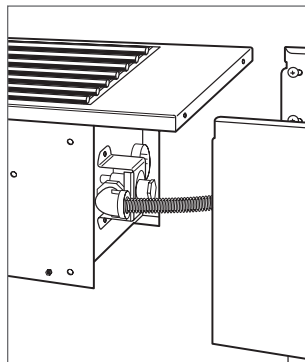
Assemblage du régulateur du GPL



Connexion du GPL

CONNEXION DU GAZ NATUREL

- 1 Divisez la conduite de gaz naturel à haute pression en deux conduites, une devant être fixée au régulateur de gaz naturel du grill et l'autre devant être fixée au brûleur latéral par l'entremise d'une conduite flexible et d'un adaptateur NPT de 1/2 po. Placez la conduite de gaz flexible dans le trou d'accès du chariot.
- 2 Placez la conduite de gaz flexible dans le trou d'accès du chariot et fixez au régulateur du brûleur latéral au niveau du coude. Le coude peut être pivoté pour l'orienter vers le bas pour les adaptateurs plus gros. Ne pivotez pas le coude vers le haut. Reportez-vous à l'illustration ci-dessous.



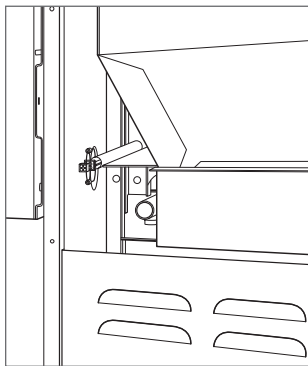
Connexion du gaz naturel

Installation du brûleur latéral

FAISCEAU AUXILIAIRE (LE CAS ÉCHÉANT)

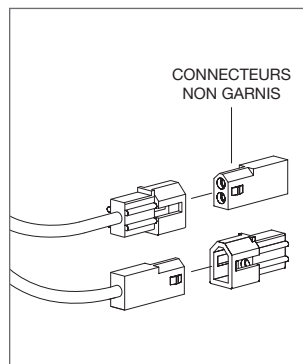
Si le gril pour l'extérieur de Wolf possède un numéro de série avant les chiffres indiqués (OG30 : 11364339, OG36 : 11363946, OG42 : 11363911), un faisceau auxiliaire sera fourni avec le brûleur latéral. Si non, communiquez avec le service à la clientèle de Wolf au 800-222-7820.

- 1 Le panneau arrière supérieur du chariot du gril doit être retiré pour installer le faisceau auxiliaire. Retirez le panneau arrière en retirant les quatre vis.
- 2 À l'aide des liens torsadés fournis, fixez le faisceau auxiliaire à la chambre de cuisson ou au faisceau de câbles existant. Une grappe de connecteurs à quatre broches doit être orientée vers l'arrière du gril et un connecteur à deux broches doit être orienté vers l'avant. Le faisceau doit être arrimé fermement et ne doit pas toucher à la chambre de cuisson du gril. Reportez-vous à l'illustration ci-dessous.

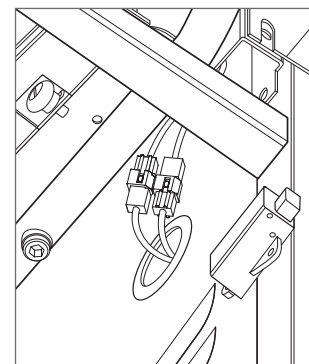


Faisceau auxiliaire

- 3 S'il est relié, débranchez le connecteur à quatre broches du transformateur situé à l'arrière du gril. Fixez un des connecteurs à quatre broches au connecteur à quatre broches fixé au gril. Fixez l'autre connecteur à quatre broches au connecteur à quatre broches du transformateur.
- 4 Retirez le boîtier du connecteur non garni du faisceau de câbles provenant du gril. Insérez chaque boîtier du connecteur du faisceau du brûleur latéral dans le boîtier correspondant sur le faisceau du gril et sur le faisceau auxiliaire. Il y a deux connexions à effectuer. Reportez-vous aux illustrations ci-dessous.
- 5 Réinstallez le panneau arrière du chariot.



Connecteurs



Boîtier du connecteur

Dépannage

REMARQUE IMPORTANTE : Si le gril au gaz pour l'extérieur ne fonctionne pas correctement, veuillez suivre les étapes de dépannage suivantes :

- Vérifiez que l'alimentation électrique est fournie au gril.
- Vérifiez que l'alimentation en gaz est appropriée.
- Assurez-vous que le robinet d'arrêt d'alimentation en gaz se trouve en position ouverte.
- Si le gril au gaz pour l'extérieur ne fonctionne toujours pas correctement, communiquez avec le centre service Wolf certifié par l'usine. Ne tentez pas de réparer le gril. Wolf n'est pas responsable du service requis pour corriger une installation défectueuse.

Sub-Zero, Sub-Zero & Design, Sub-Zero & Snowflake Design, Dual Refrigeration, The Living Kitchen, Great American Kitchens The Fine Art of Kitchen Design, Wolf, Wolf & Design, Wolf Gourmet, W & Design, les boutons de couleur rouge, Cove et Cove & Design sont des marques déposées et de service de Sub-Zero Group, Inc. et ses filiales. Toutes les autres marques de commerce appartiennent à leurs propriétaires respectifs aux États-Unis et dans d'autres pays.



WOLF APPLIANCE, INC. P.O. BOX 44848 MADISON, WI 53744 WOLFAPPLIANCE.COM 800.222.7820

821556 REV-E

10/2018

