

ICBCG365P/S



FEATURES

Rigorously tested for decades of use

Exceptional support from our Customer Care team

Spark ignition system re-ignites if flame goes out

Lower tier of dual-stacked burner lets you simmer and melt

Easy-clean seamless burner pan

Signature red control knobs (black or stainless also available)

Continuous cast-iron grates for easy movement of pots and pans

Dual-stacked burners go from 17 MJ down to a mere breath of flame

ACCESSORIES

Signature red, black or brushed stainless control knobs

Center burner wok grate

High altitude conversion kit

Accessories available through an authorized dealer.

For local dealer information, visit subzero-wolf.com/locator.



KNOB OPTIONS



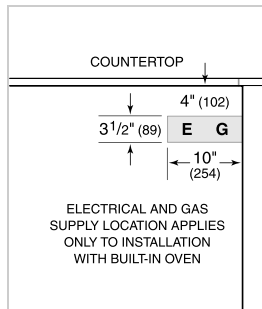
COOKTOP SPECIFICATIONS

- 3 - 9 MJ/h Burner
- 1 - 12 MJ/h Burner
- 1 - 17 MJ/h Burner

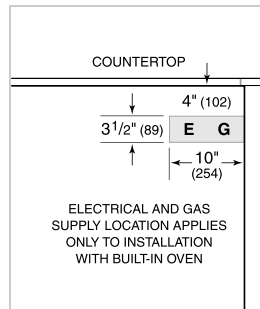
PRODUCT SPECIFICATIONS

| | |
|--------------------|--------------------------|
| Model | ICBCG365P/S |
| Dimensions | 914mmW x 102mmH x 533mmD |
| Weight | 30 kg |
| Electrical Supply | 220-240 VAC; 50/60 Hz |
| Electrical Service | 0.2 A |
| Gas Supply | Nat - 19 mm; LP - 13 mm |
| Gas Inlet | Class B or Class D |
| Power Cord Length | 1 Meters |

ELECTRICAL

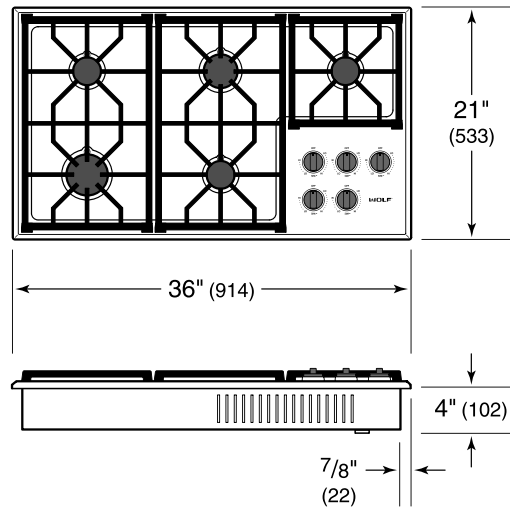


GAS

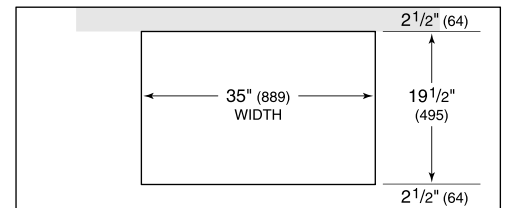


NOTE: Dimensions in parenthesis are in millimeters unless otherwise specified

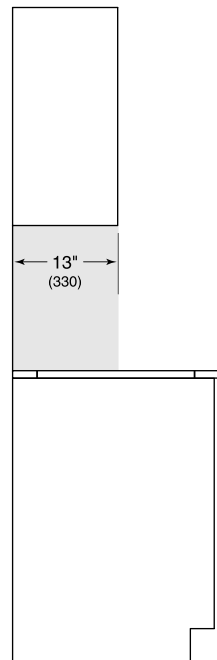
DIMENSIONS



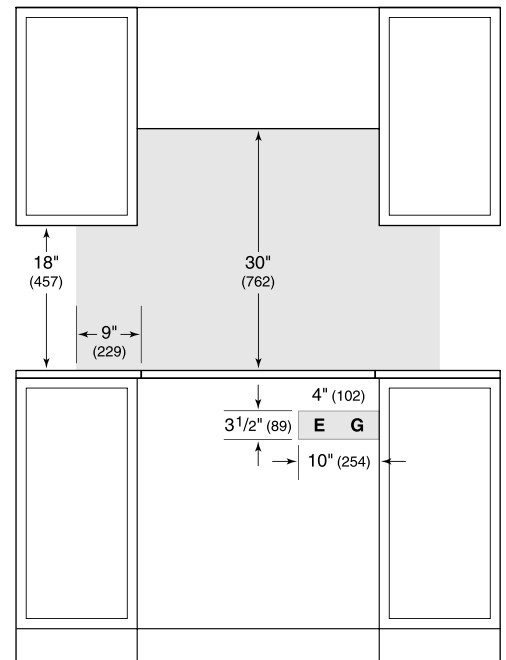
STANDARD INSTALLATION



COUNTERTOP CUT-OUT



SIDE VIEW



FRONT VIEW

NOTE: Shaded area above countertop indicates minimum clearance to combustible surfaces, combustible materials cannot be located within this area. Electrical and gas supply location only applies to installations with built-in oven.